

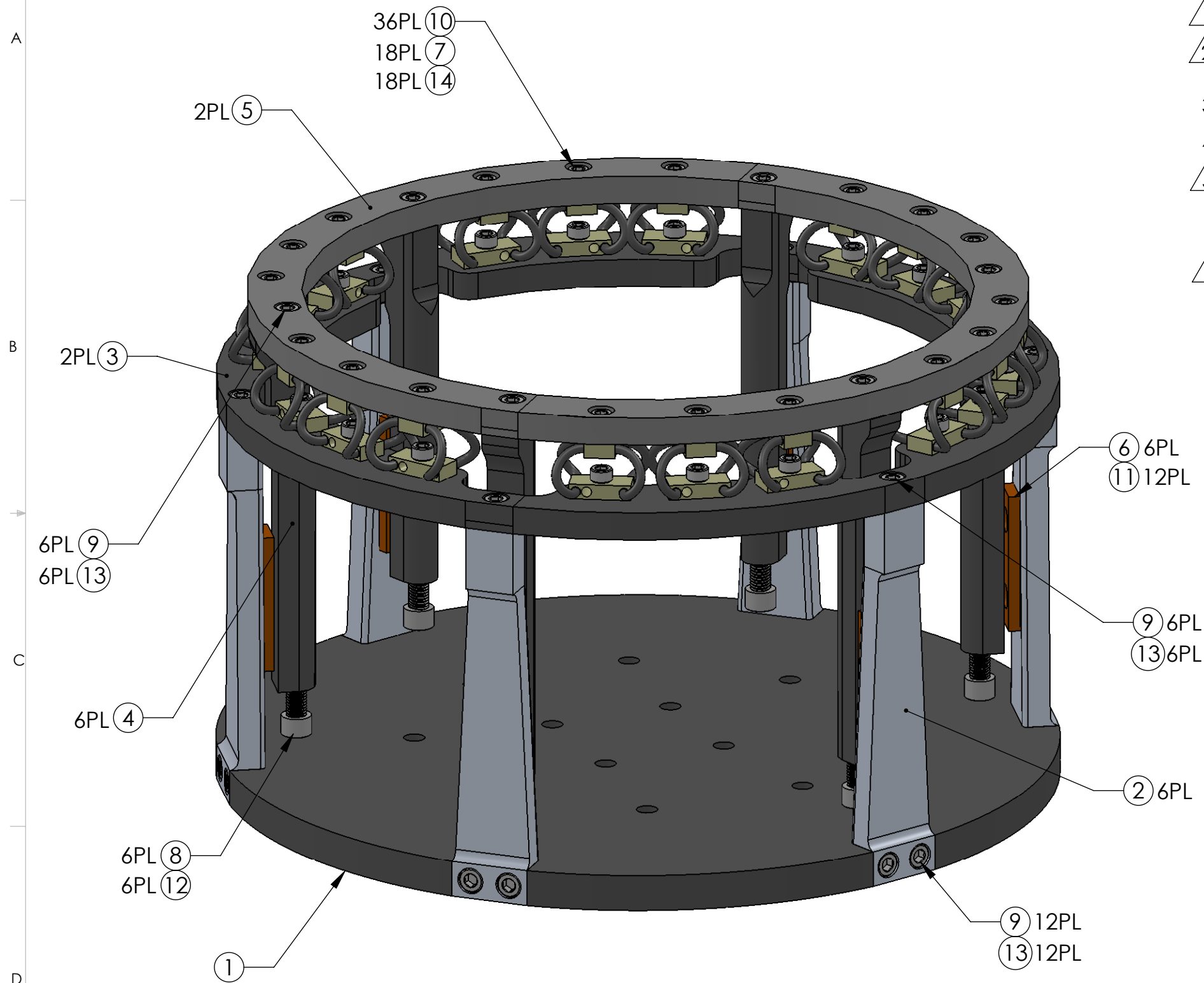
1 2 3 4 5 6 7 8

THE INFORMATION CONTAINED IN THIS DRAWING IS THE SOLE PROPERTY OF MEEKER AVIATION ANY REPRODUCTION IN PART OR WHOLE WITHOUT THE WRITTEN PERMISSION OF MEEKER AVIATION IS PROHIBITED.

REVISIONS			
REV.	DESCRIPTION	DATE	APPROVED

NOTES:

- ① MATERIAL: AL 6061-T651 PER AMS-QQ-A-250/11
- ② FINISH: ANODIZE IAW MIL-A-8625 TYPE II CLASS 2, COLOR: BLACK OR CUSTOMER SPECIFIED COLOR
- 3. DEBURR AND BREAK ALL SHARP EDGES
- 4. USE SPECIFIED HARDWARE OR ITS EQUIVALENT
- ⑤ SOLID SILICONE RUBBER STRIP 1/2" WIDE, 1/4" THICK PER MIL-ZZR-765, CLASS 2A CHAMFER TOP EDGE AFTER ASSEMBLY TO FACILITATE CAMERA INSTALLATION VENDOR: MCMMASTER-CARR P/N: 93755K61
- ⑥ ALTERNATE SPRING: P/N CR3-200S



MA100-TU-1 COLLAR ASSY

18	14	MS21208C0815	HELICAL INSERT		
24	13	MS21209F1-15	HELICAL INSERT		
6	12	MS21209F4-15	HELICAL INSERT		
12	11	MS51957-26	PANHEAD SCREW		
36	10	NAS1352C08-6	SOCKET HEAD CAP SCREW		
24	9	NAS1351C3-8	SOCKET HEAD CAP SCREW		
6	8	NAS1351C4-12	SOCKET HEAD CAP SCREW		
18	7	CR3-100S	SPRING	⑥	
6	6	MA100-TU-1-6	RUBBER	⑤	
2	5	MA100-TU-1-5	UPPER RING	①	②
6	4	MA100-TU-1-4	STAND OFF	①	②
2	3	MA100-TU-1-3	LOWER RING	①	②
6	2	MA100-TU-1-2	POST	①	②
1	1	MA100-TU-1-1	BASE	①	②
		MA100-TU-1	COLLAR ASSY		

QTY	ITEM #	PART #	DESCRIPTION	MAT'L	SPEC.
PARTS LIST					
NEXT ASSY (S)			ORIGINAL DATE (MO-DA-YR) DATE 02-08-13	MEEKER AVIATION	
			DRAWN BY S. HUFF	1676 ORD WAY	
			CHECKER R. CROMWELL	OCEANSIDE, CA. 92056-3512 (604)644-1125	
			DRAWING APPROVAL C. MEEKER	COLLAR ASSY	
			DATE 02-08-13		
			CONTRACT No.		
			UNLESS OTHERWISE SPECIFIED DIMENSIONS ARE IN INCHES TOLERANCES ARE:	SIZE B	CAGE CODE 8A8B5
			2 PLACE DECIMALS ±.01	DWG. NO. MA100-TU	REV. N/C
			3 PLACE DECIMALS ±.005	SCALE NONE	SHEET 1 OF 7
			ANGLES ±.5°		