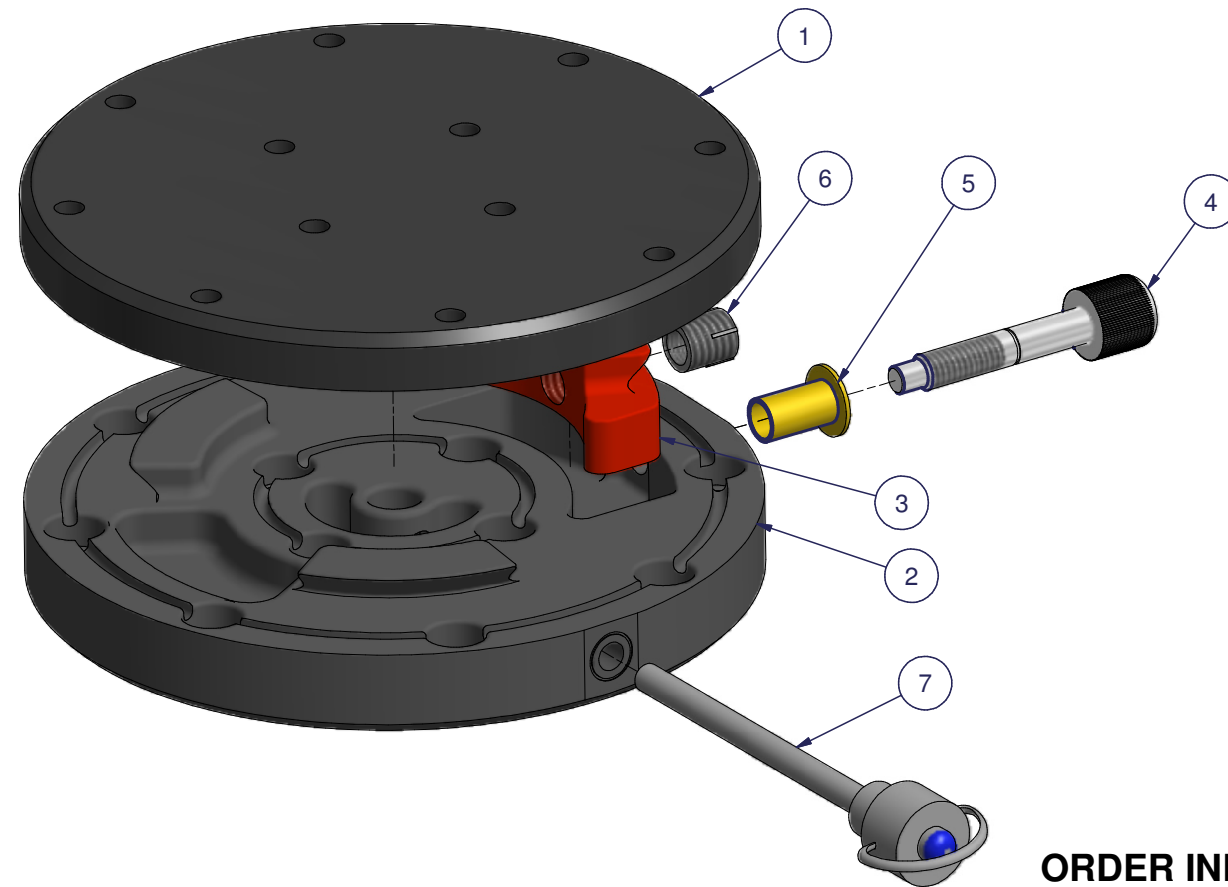
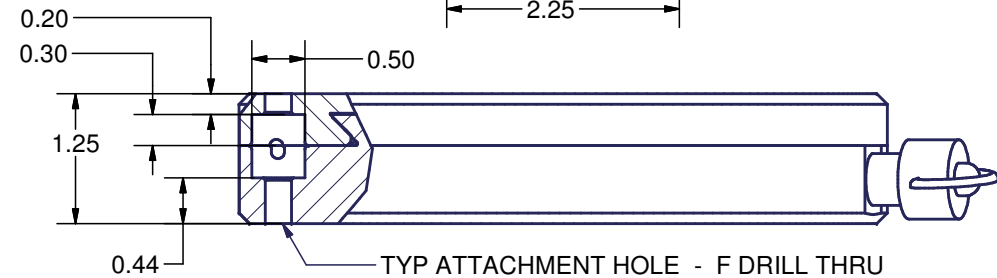
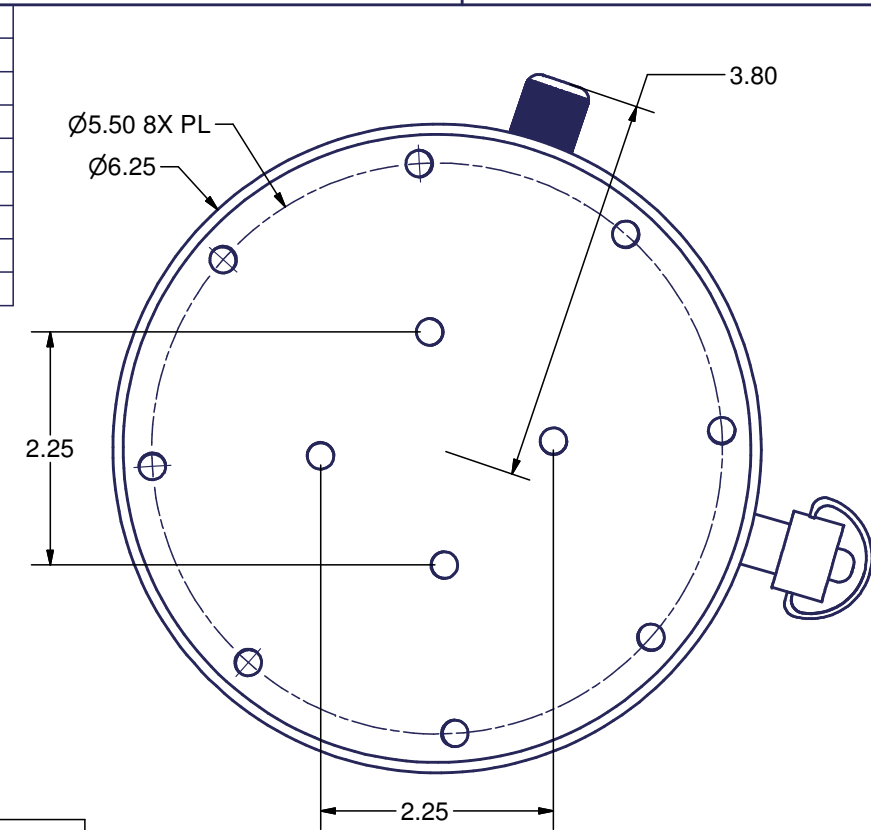


| Parts List | | | |
|------------|---------|----------|------------------------|
| ITEM | QDD-1-1 | QDD-1-1A | DESCRIPTION |
| 1 | 1 | 0 | UPPER DOVETAIL BRACKET |
| 2 | 1 | 1 | LOWER DOVETAIL BRACKET |
| 3 | 1 | 1 | LOCKING DOVETAIL |
| 4 | 1 | 1 | LOCKING BOLT |
| 5 | 1 | 1 | BUSHING |
| 6 | 1 | 1 | 92070A250 -MMC |
| 7 | 1 | 1 | 92384A043 -MMC |

NOTE: ABOVE CHART REF ONLY - USE DWG QDD-1-1 FOR BOM



EXPLODED PARTS VIEW

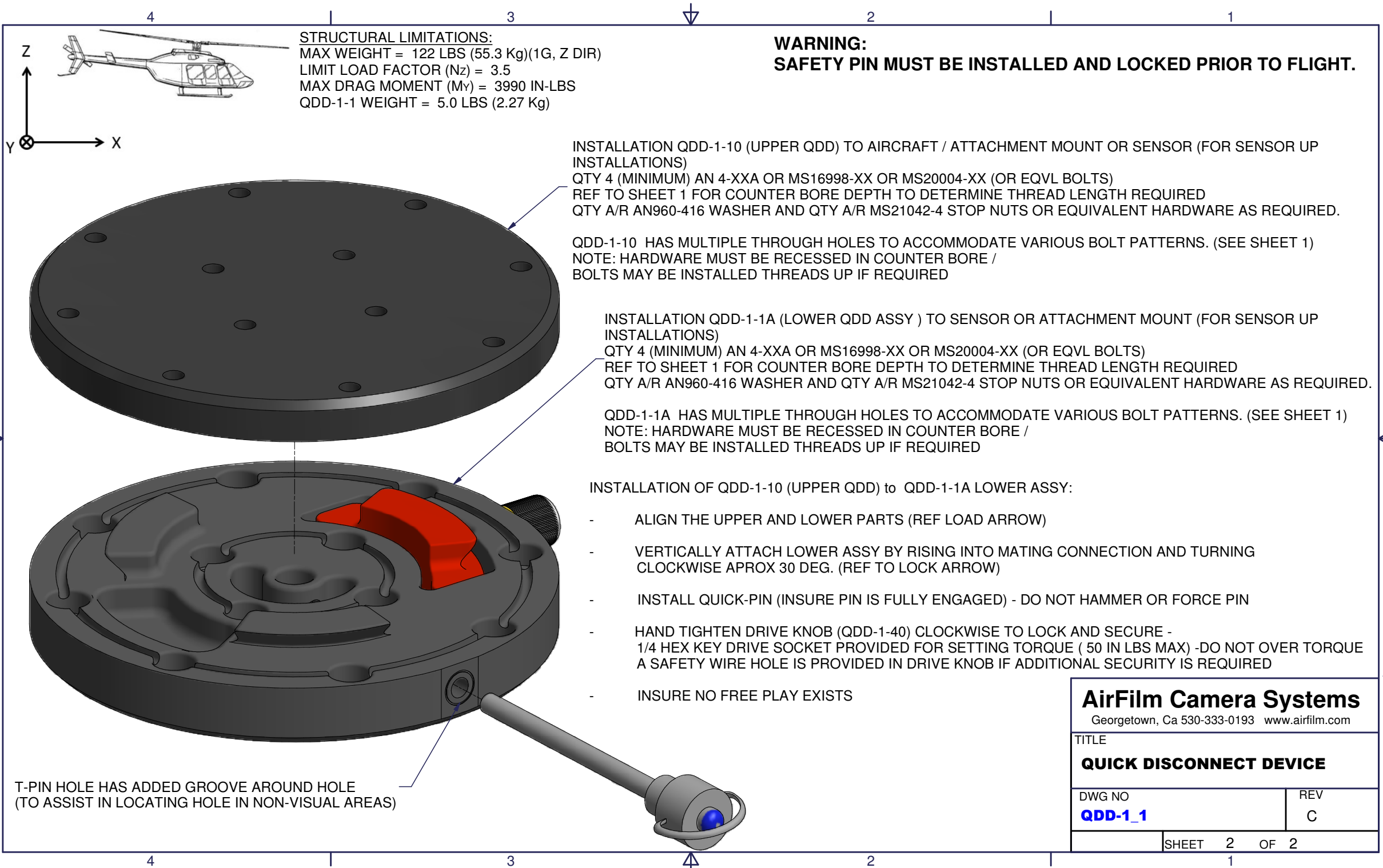


GENERAL DIMENSIONS

| REV | DESCRIPTION | DATE |
|-----|--------------------------------------|------------|
| A | ADDED ITEM 4 | 4/15/2010 |
| B | NOTE CHANGE: STRUCTURAL LIMITATIONS | 3/19/2015 |
| C | NOTE CHANGES: QDD-1-1 WEIGHT AND P/N | 10/21/2016 |

ORDER INFORMATION:
P/N QDD-1-1 UPPER & LOWER ASSY COMPLETE
P/N QDD-1-1A LOWER ASSY COMPLETE
P/N QDD-1-10 UPPER ASSY

| | |
|--|----------|
| AirFilm Camera Systems Georgetown, Ca 530-333-0193 www.airfilm.com | |
| TITLE QUICK DISCONNECT DEVICE | |
| DWG NO QDD-1_1 | REV C |
| SHEET 1 OF 2 | |



STRUCTURAL LIMITATIONS:
 MAX WEIGHT = 122 LBS (55.3 Kg)(1G, Z DIR)
 LIMIT LOAD FACTOR (Nz) = 3.5
 MAX DRAG MOMENT (My) = 3990 IN-LBS
 QDD-1-1 WEIGHT = 5.0 LBS (2.27 Kg)

WARNING:
SAFETY PIN MUST BE INSTALLED AND LOCKED PRIOR TO FLIGHT.

INSTALLATION QDD-1-10 (UPPER QDD) TO AIRCRAFT / ATTACHMENT MOUNT OR SENSOR (FOR SENSOR UP INSTALLATIONS)
 QTY 4 (MINIMUM) AN 4-XXA OR MS16998-XX OR MS20004-XX (OR EQVL BOLTS)
 REF TO SHEET 1 FOR COUNTER BORE DEPTH TO DETERMINE THREAD LENGTH REQUIRED
 QTY A/R AN960-416 WASHER AND QTY A/R MS21042-4 STOP NUTS OR EQUIVALENT HARDWARE AS REQUIRED.

QDD-1-10 HAS MULTIPLE THROUGH HOLES TO ACCOMMODATE VARIOUS BOLT PATTERNS. (SEE SHEET 1)
 NOTE: HARDWARE MUST BE RECESSED IN COUNTER BORE /
 BOLTS MAY BE INSTALLED THREADS UP IF REQUIRED

INSTALLATION QDD-1-1A (LOWER QDD ASSY) TO SENSOR OR ATTACHMENT MOUNT (FOR SENSOR UP INSTALLATIONS)
 QTY 4 (MINIMUM) AN 4-XXA OR MS16998-XX OR MS20004-XX (OR EQVL BOLTS)
 REF TO SHEET 1 FOR COUNTER BORE DEPTH TO DETERMINE THREAD LENGTH REQUIRED
 QTY A/R AN960-416 WASHER AND QTY A/R MS21042-4 STOP NUTS OR EQUIVALENT HARDWARE AS REQUIRED.

QDD-1-1A HAS MULTIPLE THROUGH HOLES TO ACCOMMODATE VARIOUS BOLT PATTERNS. (SEE SHEET 1)
 NOTE: HARDWARE MUST BE RECESSED IN COUNTER BORE /
 BOLTS MAY BE INSTALLED THREADS UP IF REQUIRED

INSTALLATION OF QDD-1-10 (UPPER QDD) to QDD-1-1A LOWER ASSY:

- ALIGN THE UPPER AND LOWER PARTS (REF LOAD ARROW)
- VERTICALLY ATTACH LOWER ASSY BY RISING INTO MATING CONNECTION AND TURNING CLOCKWISE APROX 30 DEG. (REF TO LOCK ARROW)
- INSTALL QUICK-PIN (INSURE PIN IS FULLY ENGAGED) - DO NOT HAMMER OR FORCE PIN
- HAND TIGHTEN DRIVE KNOB (QDD-1-40) CLOCKWISE TO LOCK AND SECURE - 1/4 HEX KEY DRIVE SOCKET PROVIDED FOR SETTING TORQUE (50 IN LBS MAX) -DO NOT OVER TORQUE A SAFETY WIRE HOLE IS PROVIDED IN DRIVE KNOB IF ADDITIONAL SECURITY IS REQUIRED
- INSURE NO FREE PLAY EXISTS

T-PIN HOLE HAS ADDED GROOVE AROUND HOLE
 (TO ASSIST IN LOCATING HOLE IN NON-VISUAL AREAS)

| | |
|--|----------|
| AirFilm Camera Systems Georgetown, Ca 530-333-0193 www.airfilm.com | |
| TITLE QUICK DISCONNECT DEVICE | |
| DWG NO QDD-1_1 | REV C |
| SHEET 2 OF 2 | |