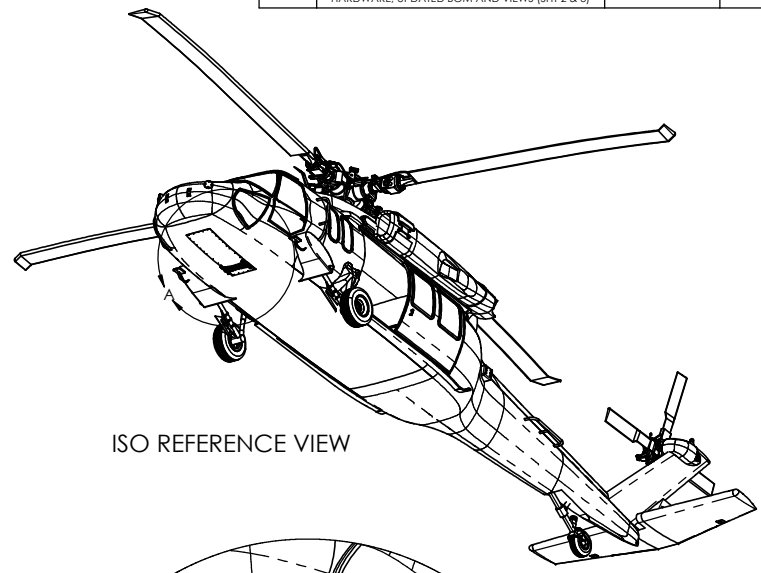
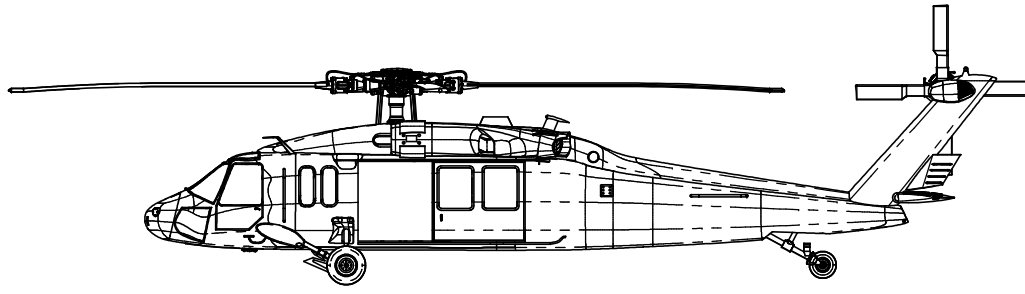
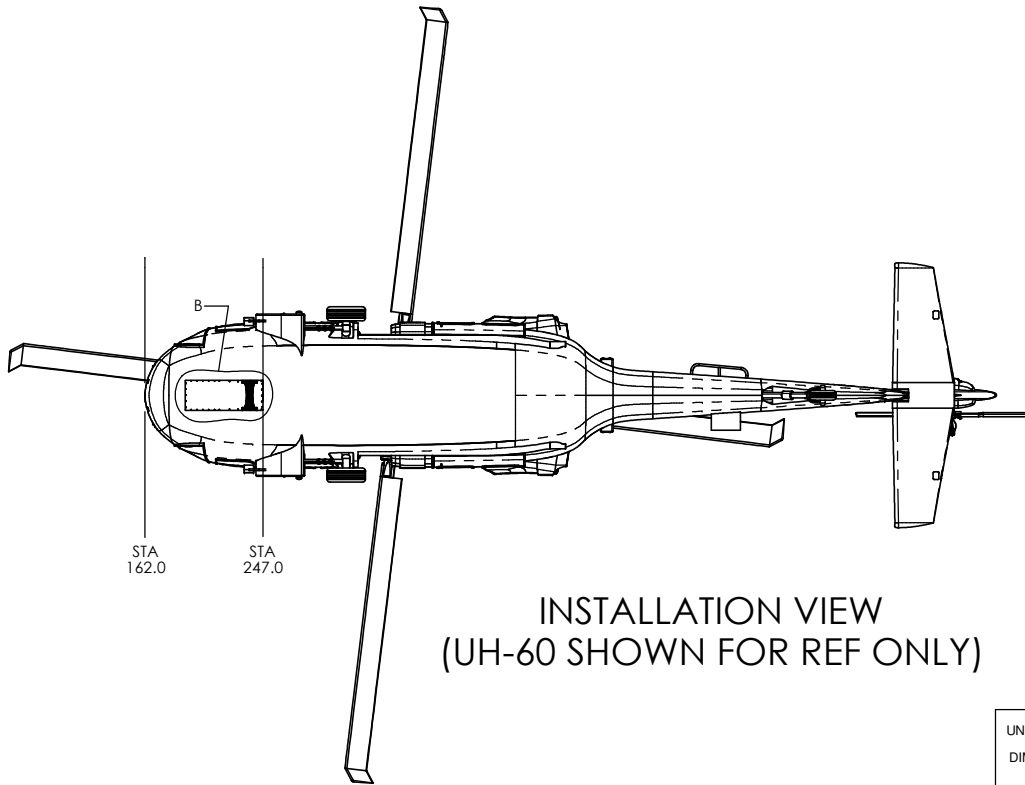


ITEM NO.	QTY.	PART NUMBER	DESCRIPTION
1	1	AFM-BH-IMT-1	UTILITY MOUNT ASSY, I-MOUNT, UH-60 BLACKHAWK
2	6	AN3-17A	BOLT
3	6	NAS620-10	WASHER

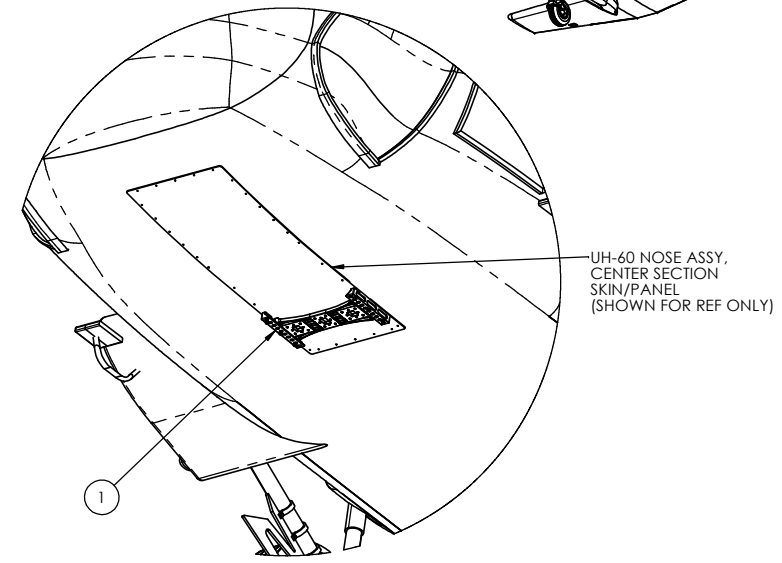
REVISIONS			
REV.	DESCRIPTION	DATE	DRAWN BY
NC	INITIAL RELEASE	03/27/2019	JS
A	UPDATED INSTALL HARDWARE FROM AN4 TO AN3 HARDWARE, UPDATED BOM AND VIEWS (SHT 2 & 3)	5/9/2019	CB



ISO REFERENCE VIEW



INSTALLATION VIEW
(UH-60 SHOWN FOR REF ONLY)



UH-60 NOSE ASSY, CENTER SECTION SKIN/PANEL (SHOWN FOR REF ONLY)

DETAIL A
SCALE 1 : 16

- NOTES:
- BAG AND TAG INSTALLATION HARDWARE.
 - INSTALL AND TORQUE ALL HARDWARE PER AC 43.13-1B, CHAPTER 7, SECTION 3.4.

UNLESS OTHERWISE NOTED ALL DIMENSIONS ARE IN INCHES

TOLERANCES:

.X ± .1
.XX ± .03
.XXX ± .010
ANGULAR: ± .5°

BREAK ALL SHARP EDGES .015 MAX

DRAWING		
	NAME	DATE
DRAWN	J. SANDOVAL	03/27/2019
CHECKED	J. MUELLER	03/27/2019
APPROVED	S. MOORE	03/27/2019

PROPRIETARY NOTICE

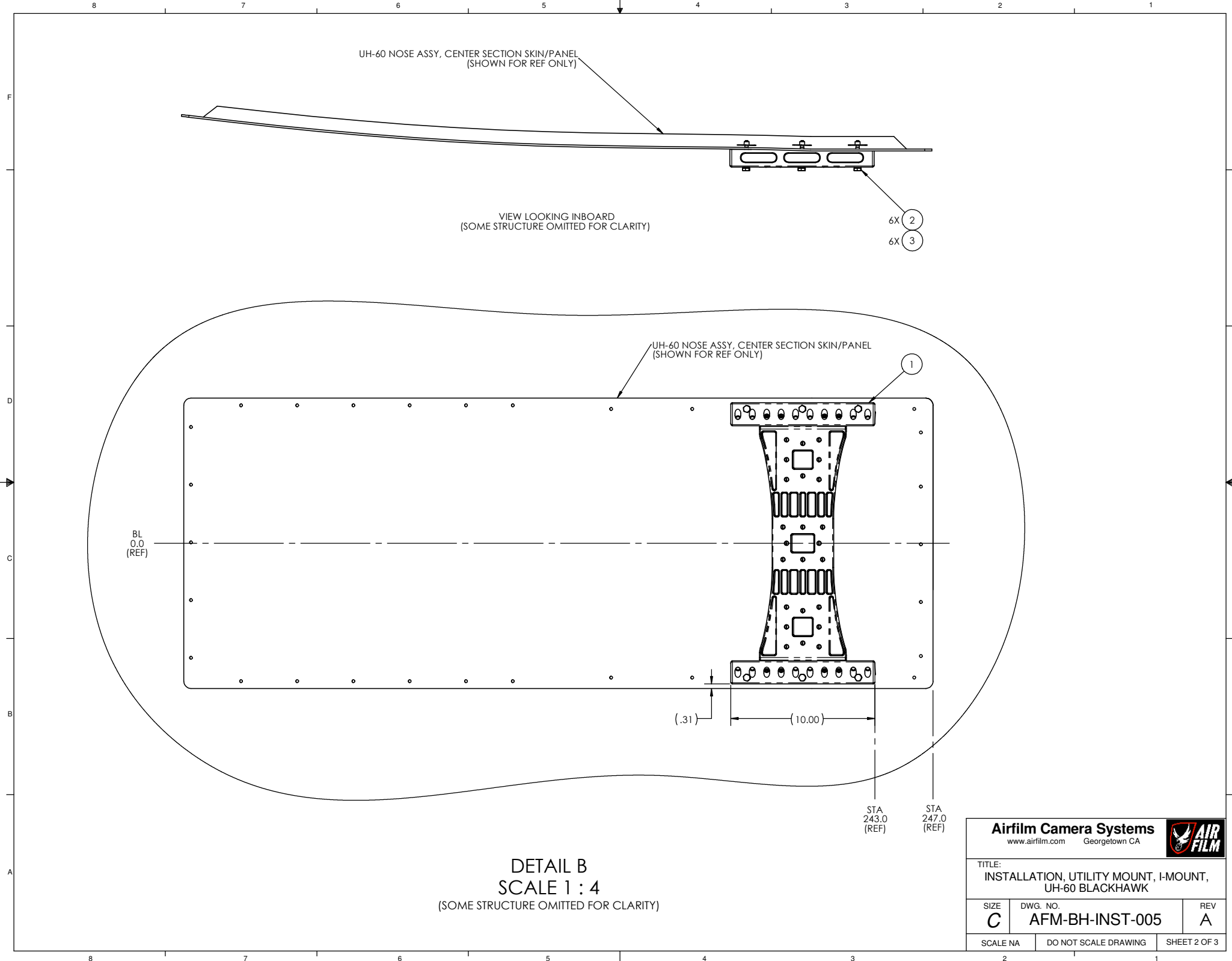
THIS DRAWING AND SPECIFICATION IS THE PROPERTY OF AIRFILM CAMERA SYSTEMS, INC AND SHALL NOT BE COPIED OR DIVULGED IN WHOLE OR IN PART AS THE BASIS FOR MANUFACTURING OR SALE OF THE ITEM OR ITEMS DISCLOSED.

Airfilm Camera Systems
www.airfilm.com Georgetown CA



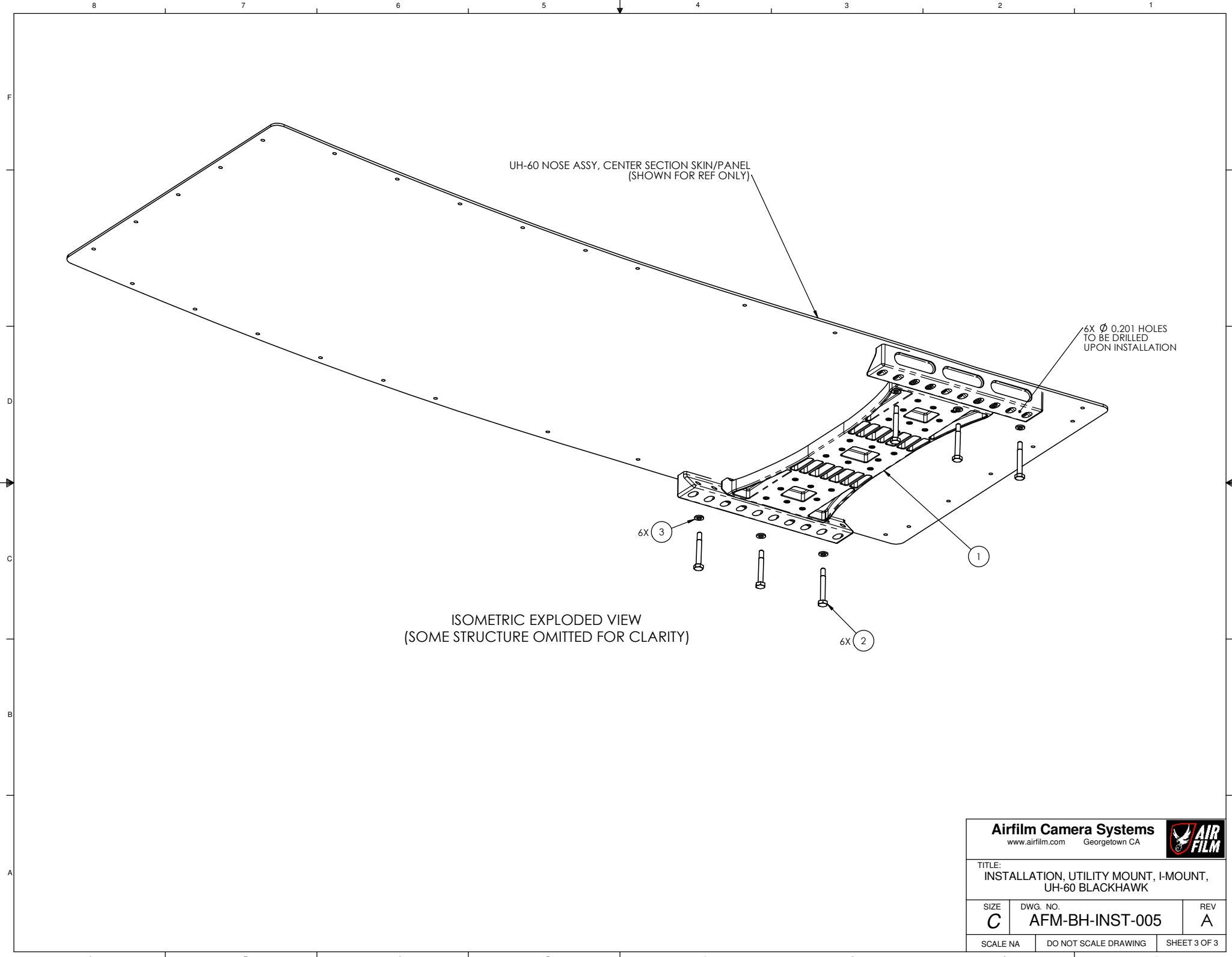
TITLE:
INSTALLATION, UTILITY MOUNT, I-MOUNT, UH-60 BLACKHAWK

SIZE C	DWG. NO. AFM-BH-INST-005	REV A
SCALE:1/64	DO NOT SCALE DRAWING	SHEET 1 OF 3



DETAIL B
 SCALE 1 : 4
 (SOME STRUCTURE OMITTED FOR CLARITY)


Airfilm Camera Systems <small>www.airfilm.com Georgetown CA</small>		
TITLE: INSTALLATION, UTILITY MOUNT, I-MOUNT, UH-60 BLACKHAWK		
SIZE C	DWG. NO. AFM-BH-INST-005	REV A
SCALE NA	DO NOT SCALE DRAWING	SHEET 2 OF 3



UH-60 NOSE ASSY, CENTER SECTION SKIN/PANEL
(SHOWN FOR REF ONLY)

6X Ø 0.201 HOLES
TO BE DRILLED
UPON INSTALLATION

ISOMETRIC EXPLODED VIEW
(SOME STRUCTURE OMITTED FOR CLARITY)

Airfilm Camera Systems www.airfilm.com Georgetown CA		
TITLE: INSTALLATION, UTILITY MOUNT, I-MOUNT, UH-60 BLACKHAWK		
SIZE	DWG. NO.	REV
C	AFM-BH-INST-005	A
SCALE NA	DO NOT SCALE DRAWING	SHEET 3 OF 3