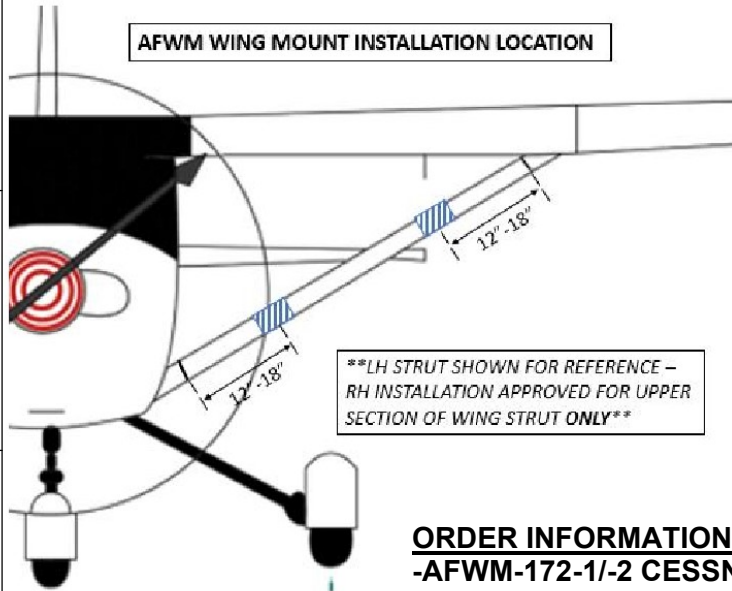


AFWM CESSNA WING STRUT MOUNT GENERAL INFORMATION

AFWM WING MOUNT INSTALLATION LOCATION

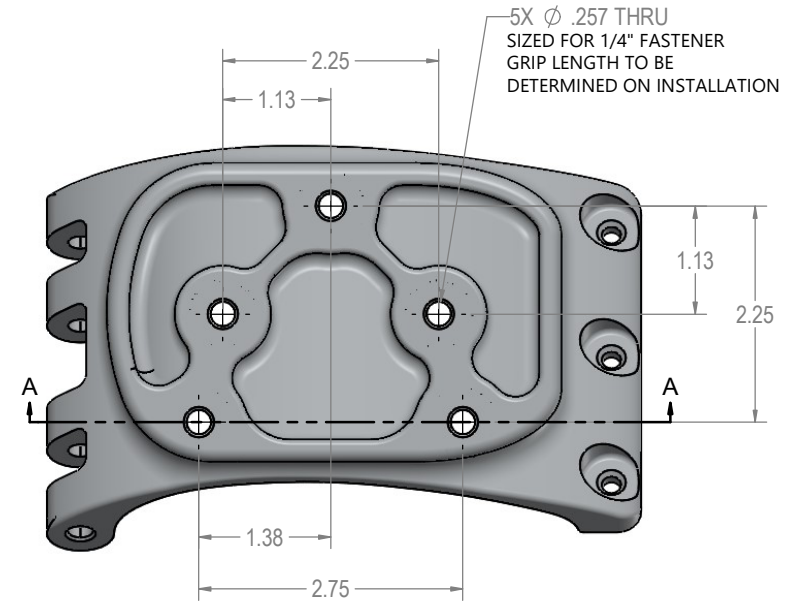


AFWM STRUCTURAL PAYLOAD LIMITATIONS:

MAX WEIGHT = 50 LBS (22.7 Kg)
 MAX FRONTAL AREA = 1.0 SQ. FT (929.03 SQ. CM)

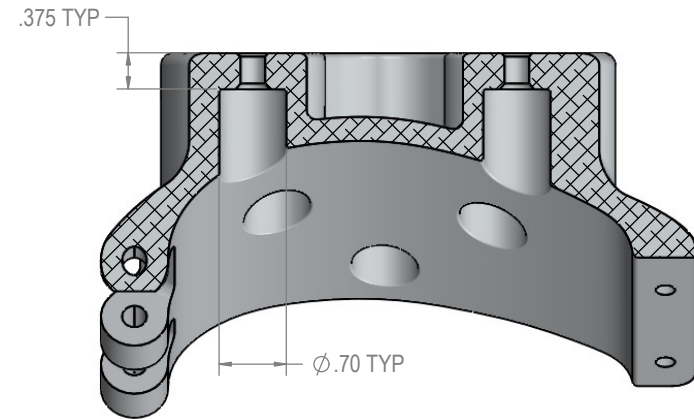
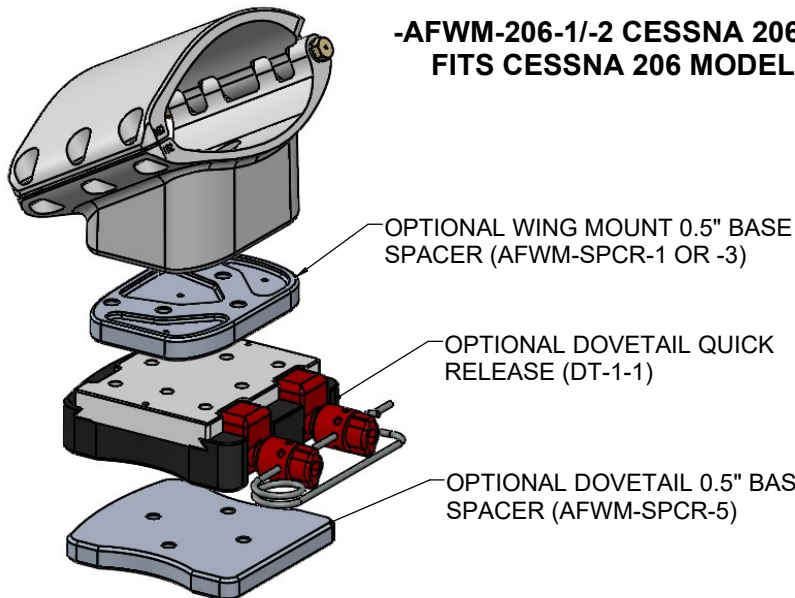
AFWM-172 WEIGHT = 2.5 LBS (1.13 Kg)
 AFWM-180 WEIGHT = 2.5 LBS (1.13 Kg)
 AFWM-182 WEIGHT = 2.5 LBS (1.13 Kg)
 AFWM-206 WEIGHT = 2.5 LBS (1.13 Kg)

PAYLOAD MOUNTING PATTERN



ORDER INFORMATION:

- AFWM-172-1/-2 CESSNA 172 WING STRUT MOUNT
 FITS MODEL YEARS 1956-PRESENT
- AFWM-180-1/-2 CESSNA 180/182 WING STRUT MOUNT
 FITS CESSNA 180 MODEL YEARS 1953-1981
 FITS EARLY CESSNA 182 MODEL YEARS 1956-1961
- AFWM-182-1/-2 CESSNA 182 WING STRUT MOUNT
 FITS CESSNA 182 MODEL YEARS 1962-PRESENT
- AFWM-206-1/-2 CESSNA 206 WING STRUT MOUNT
 FITS CESSNA 206 MODEL YEARS 1964-PRESENT



SECTION A-A
 SCALE 1 : 1

UNLESS OTHERWISE NOTED ALL DIMENSIONS ARE IN INCHES

TOLERANCES:
 .X ± .1
 .XX ± .03
 .XXX ± .010
 ANGULAR: ± .5°
 BREAK ALL SHARP EDGES .015 MAX

DRAWING		
NAME	C. BROUCEK	DATE
DATE	07/29/2020	
CHECKED		
APPROVED	C. MEEKER	07/29/2020

PROPRIETARY NOTICE
 THIS DRAWING AND SPECIFICATION IS THE PROPERTY OF AIRFILM CAMERA SYSTEMS, INC AND SHALL NOT BE COPIED OR DIVULGED IN WHOLE OR IN PART AS THE BASIS FOR MANUFACTURING OR SALE OF THE ITEM OR ITEMS DISCLOSED.

Airfilm Camera Systems www.airfilm.com Georgetown CA			
TITLE: CESSNA WING STRUT MOUNT GENERAL INFORMATION			
SIZE	DWG. NO.	REV	
C	AFWM GENERAL INFORMATION	N/A	
SCALE 1:4	DO NOT SCALE DRAWING	SHEET 1 OF 1	