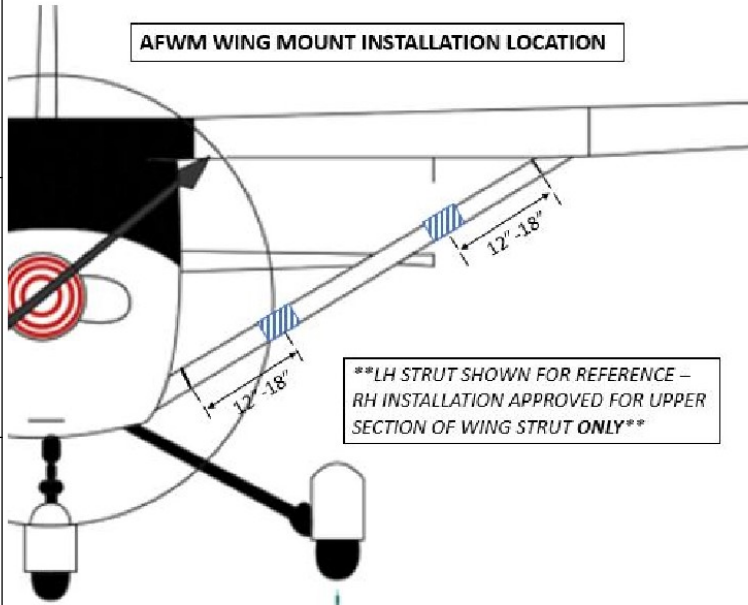


CESSNA MINI WING STRUT MOUNT GENERAL INFORMATION

AFWM WING MOUNT INSTALLATION LOCATION



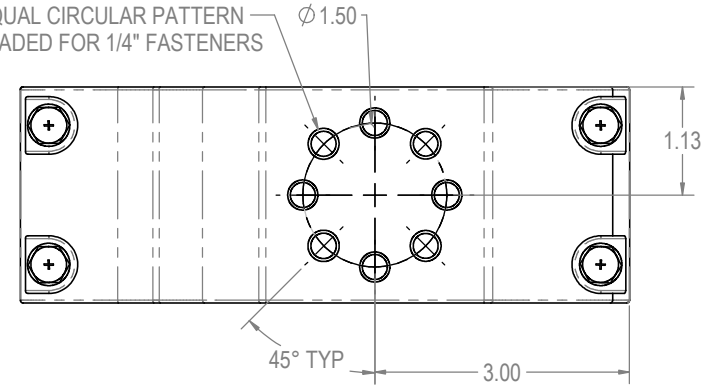
AFWM MINI STRUCTURAL PAYLOAD LIMITATIONS:

MAX WEIGHT = 10 LBS (4.54 Kg)
 MAX FRONTAL AREA = 0.5 SQ. FT (464.51 SQ. CM)

AFWM-172M WEIGHT = 1.5 LBS (.68 Kg)
 AFWM-182M WEIGHT = 1.5 LBS (.68 Kg)
 AFWM-206M WEIGHT = 1.5 LBS (.68 Kg)

PAYLOAD MOUNTING PATTERN

8X EQUAL CIRCULAR PATTERN
 THREADED FOR 1/4" FASTENERS



UPPER FACE (LOWER FACE IDENTICAL)



ORDER INFORMATION:

- AFWM-172M-1/-2 CESSNA 172 MINI WING STRUT MOUNT
 FITS MODEL YEARS 1956-PRESENT
- AFWM-182M-1/-2 CESSNA 182 MINI WING STRUT MOUNT
 FITS CESSNA 180 MODEL YEARS 1953-1981
 FITS CESSNA 182 MODEL YEARS 1956-PRESENT
- AFWM-206M-1/-2 CESSNA 206 MINI WING STRUT MOUNT
 FITS CESSNA 206 MODEL YEARS 1964-PRESENT

UNLESS OTHERWISE NOTED ALL DIMENSIONS ARE IN INCHES	DRAWING	
	NAME	DATE
	DRAWN C. BROUCEK	07/29/2020
	CHECKED	
TOLERANCES: .X ± .1 .XX ± .03 .XXX ± .010 ANGULAR: ± .5° BREAK ALL SHARP EDGES .015 MAX	APPROVED	07/29/2020
	C. MEEKER	
PROPRIETARY NOTICE		
THIS DRAWING AND SPECIFICATION IS THE PROPERTY OF AIRFILM CAMERA SYSTEMS, INC AND SHALL NOT BE COPIED OR DIVULGED IN WHOLE OR IN PART AS THE BASIS FOR MANUFACTURING OR SALE OF THE ITEM OR ITEMS DISCLOSED.		

Airfilm Camera Systems		
www.airfilm.com Georgetown CA		
TITLE: CESSNA MINI WING STRUT MOUNT GENERAL INFORMATION		
SIZE C	DWG. NO. AFWM MINI GENERAL INFORMATION	REV N/A
SCALE 1:2	DO NOT SCALE DRAWING	SHEET 1 OF 1