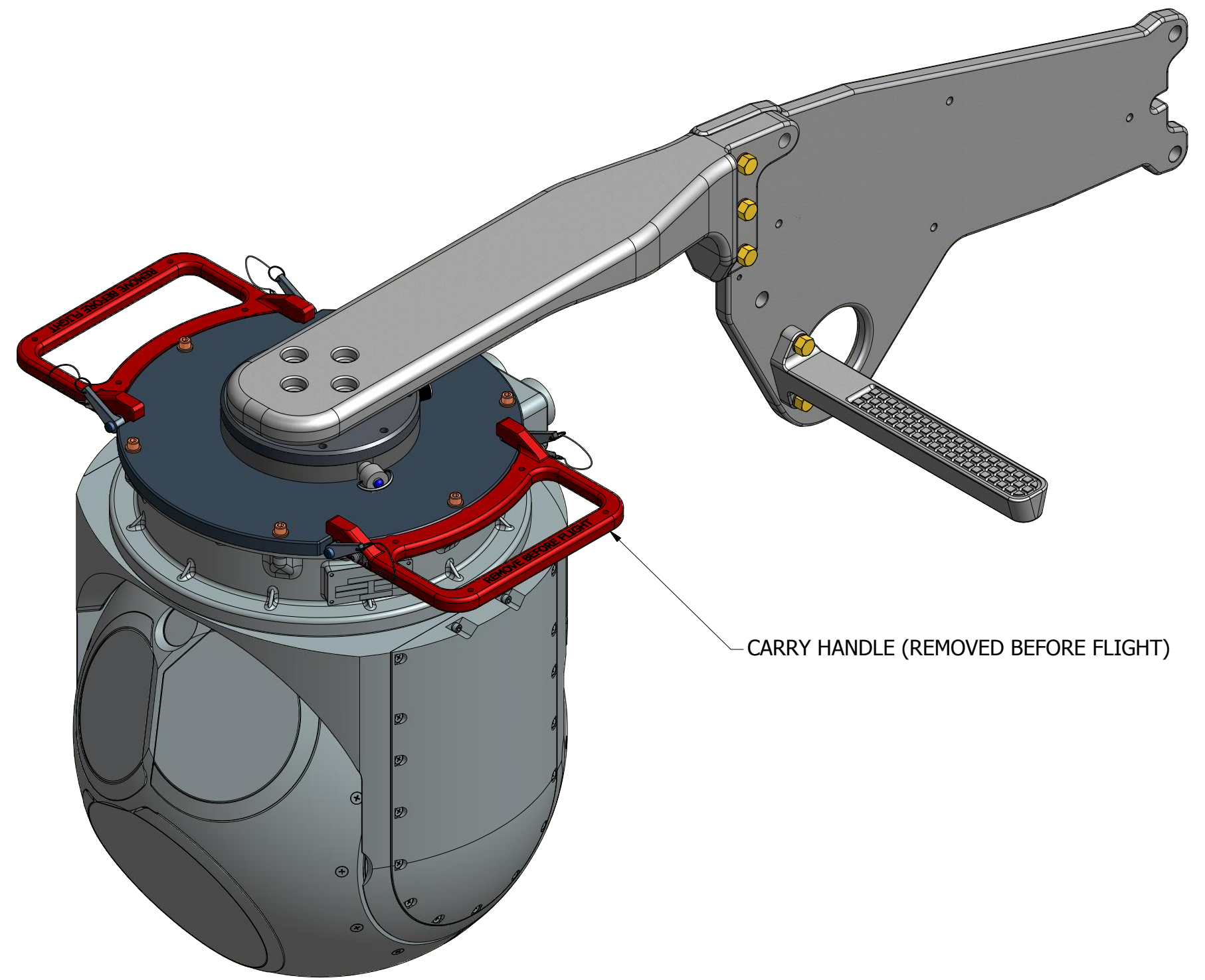
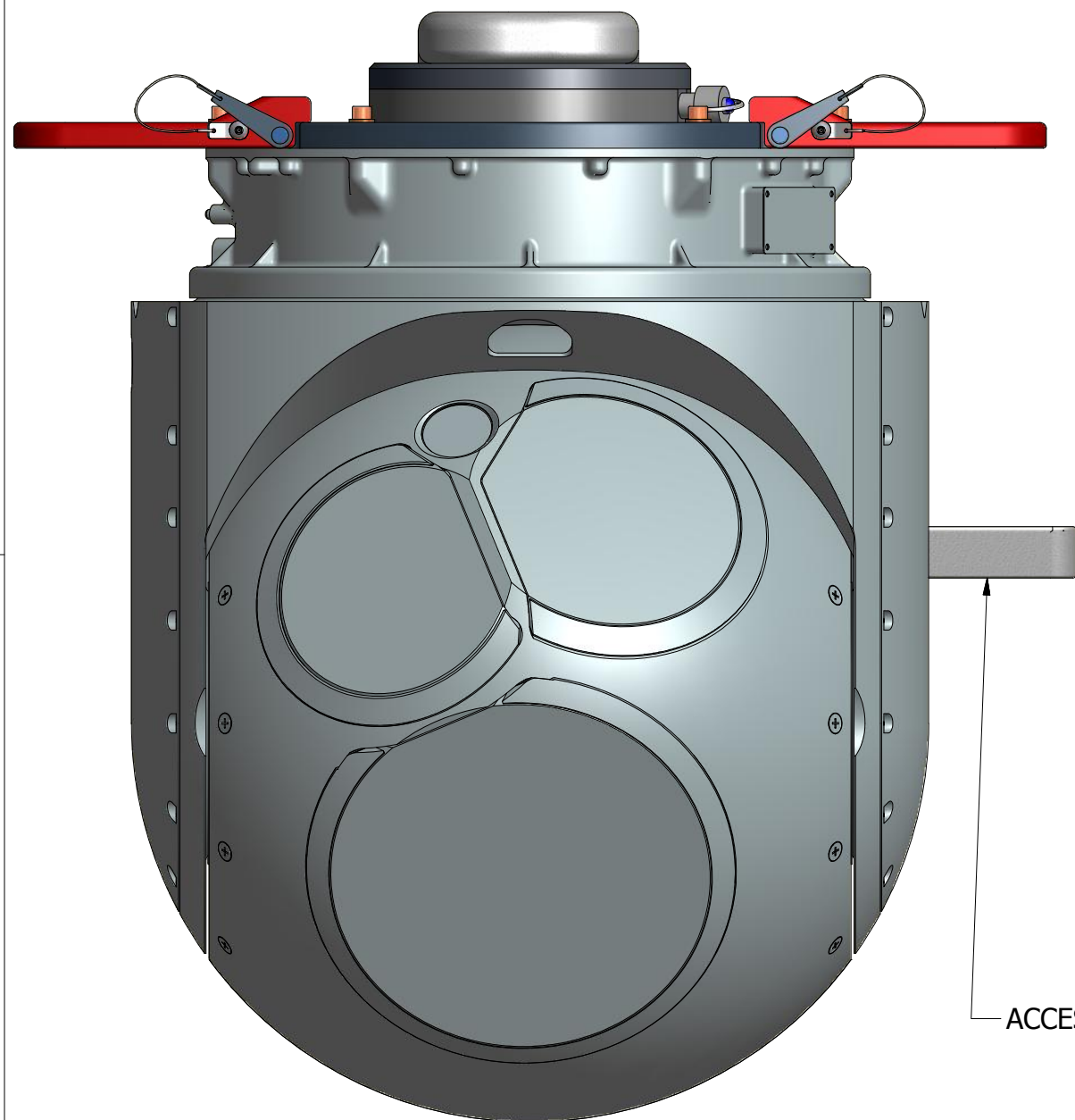


LOCATION OF SPONSON MOUNT (LH SHOWN)
(RH / LH INSTALLATION)

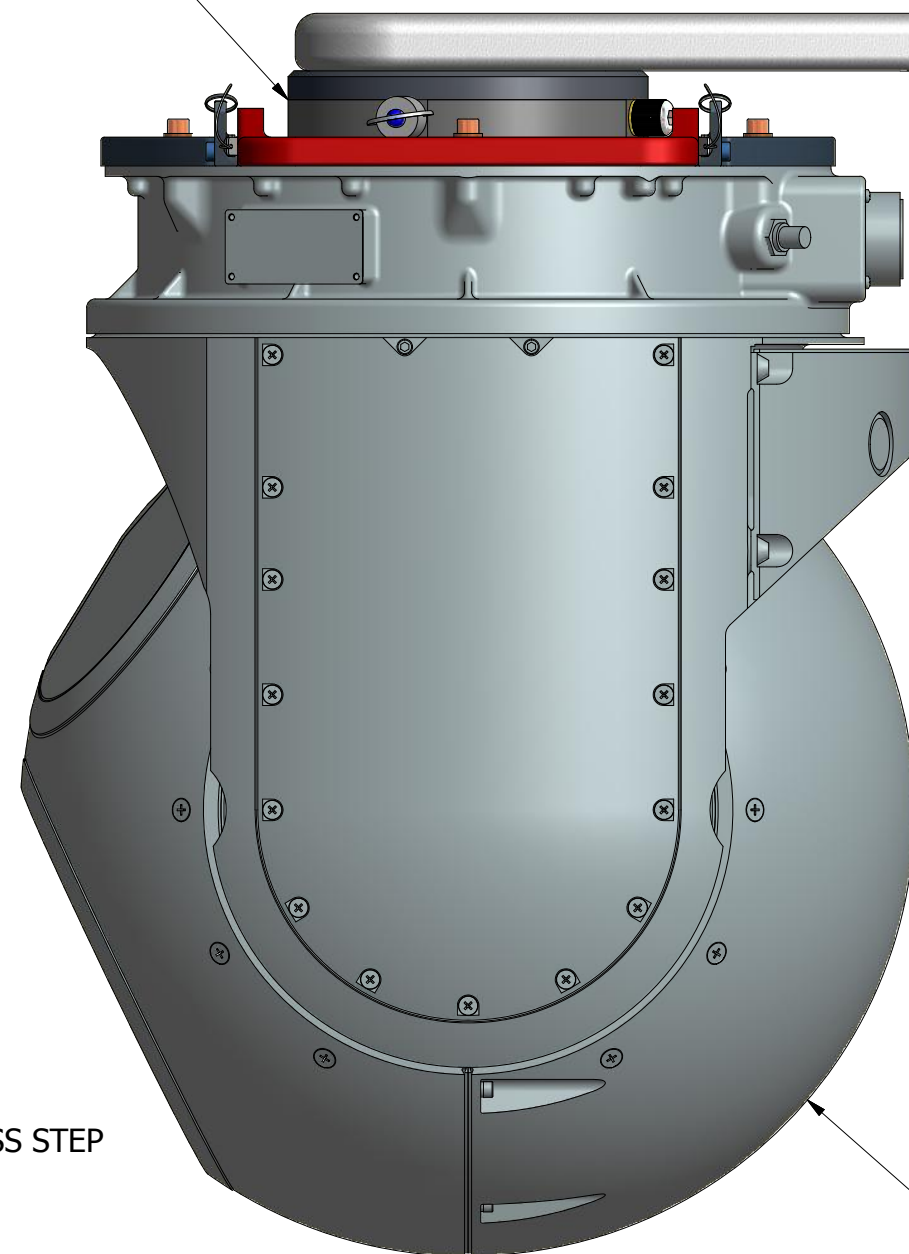


CARRY HANDLE (REMOVED BEFORE FLIGHT)

QUICK DISCONNECT (QDD-1)



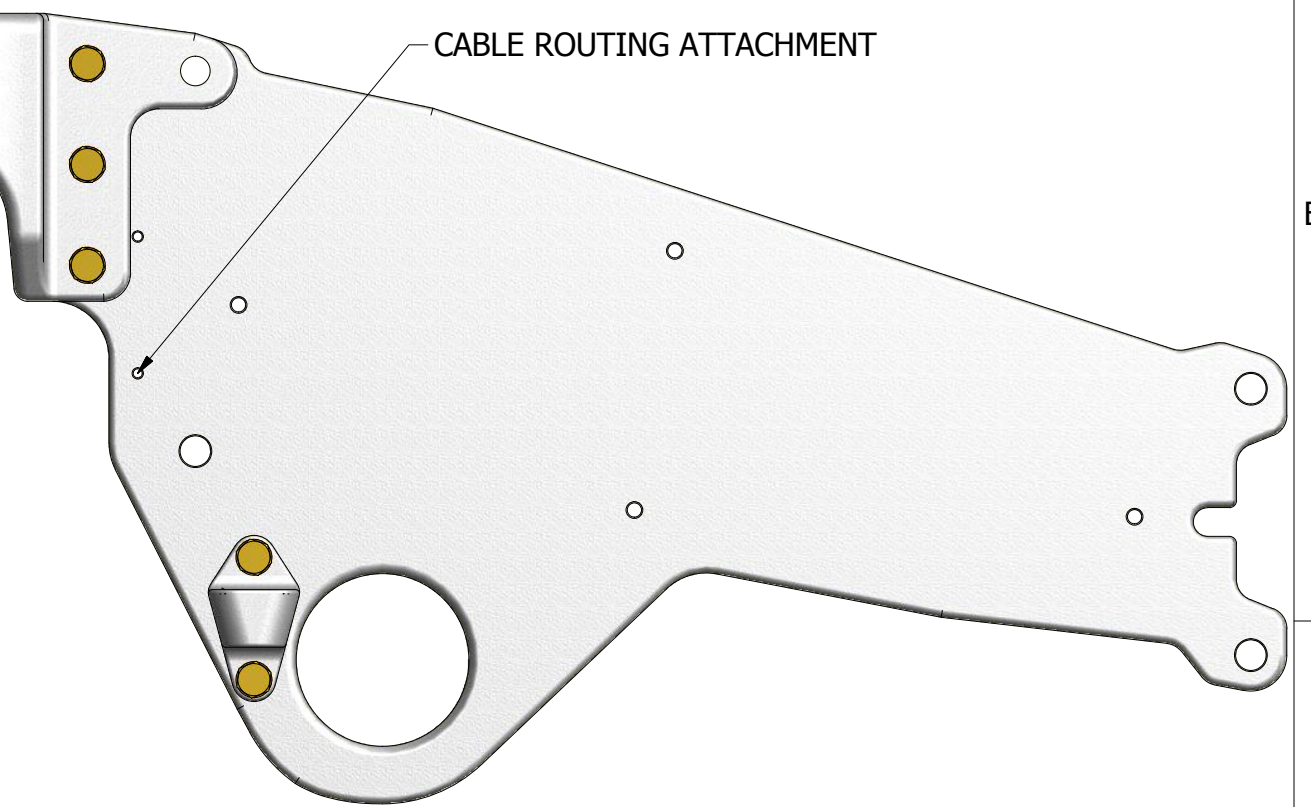
ACCESS STEP



L3 WESCAM MX-15i SENSOR

MEEKER AIRFILM AFBH-1 SPONSON UTILITY BRACKET

CABLE ROUTING ATTACHMENT



AIRFILM CAMERA SYSTEMS

TITLE
MX-15i / QDD-1 / AHBH-1 GEN INFO

SIZE C	DWG NO AFBH-1 UTILITY BRACKET	REV
SCALE	SHEET 1 OF 1	