

BELL OH-58 / 206 / 206L / 407 PRODUCTS

MEEKER AVIATION IN CO-OPERATION WITH AEROPACIFIC AND C-TECH INDUSTRIES BRING YOU THE FOLLOWING BELL 206 SERIES PRODUCTS.



AFT BELLY UNIVERSAL MOUNT

FEATURES EXCLUSIVE TO MOUNT SPECIFICATIONS

- RATED TO CARRY 55 LBS
- HIGHEST GROUND CLEARANCE
- LOWEST DRAG PENALTY
- WIDEST C / G RANGE
- AIRCONDITIONING COMPATABLE
- AND DOVETAIL MOUNT

**FAA STC / PMA FOR SPECTROLAB SX-16 / SX-5
ON BELL 206 L SERIES / 407 SERIES
COMPATABLE ON: OH-58 / 206
WEIGHT:9.0 LB WITH HARDWARE
KIT CONTAINS: ALL MOUNTING HARDWARE /**



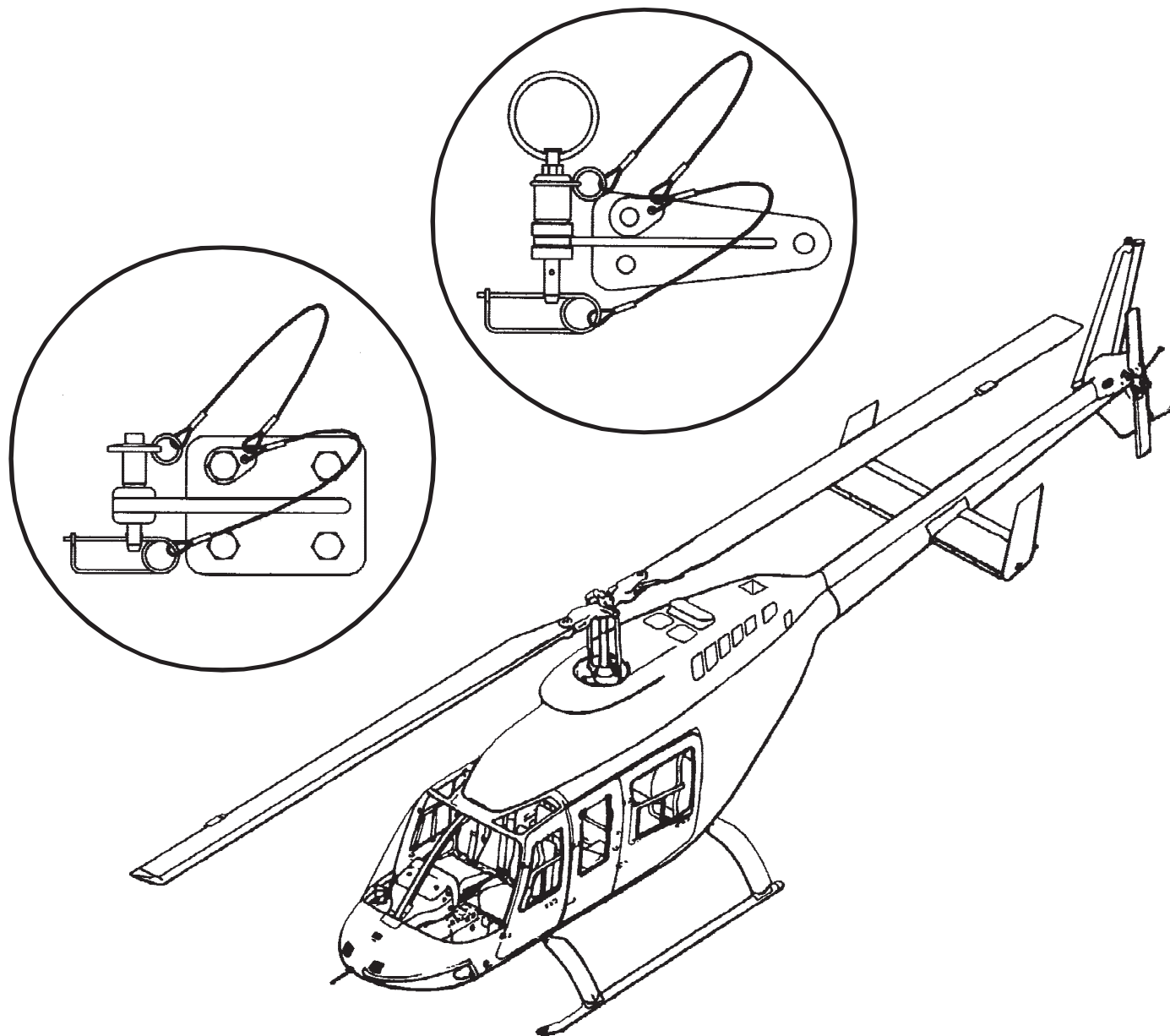
LANDING GEAR LIFT BLOCKS

FEATURES

- LIFT BLOCKS INSTALLED BETWEEN FUSELAGE AND CROSSTUBES
- ADDS TWO INCHES GROUND CLEARANCE
- INCREASE GROUND CLEARANCE WHEN OPERATING BELLY MOUNTED EQUIPMENT
- NO ADVERSE EFFECT ON STANDARD AIRCRAFT ATTITUDE
- SOLID BILLET 7075 T6 ALUMINIUM
- WEIGHT: 8.0 LBS WITH HARDWARE
- KIT CONTAINS: FWD / AFT CROSSTUBE LIFTBLOCKS AND ALL MOUNTING HARDWARE

AN APPROVED ALTERNATIVE!

206 / 206L / 407 QUICK RELEASE DOOR PINS FAA / PMA APPROVED



FOR MORE INFORMATION CONTACT

MEEKER AVIATION

CANADA

#206 19142 122ND AVE
PITT MEADOWS, B.C.
CANADA
V3Y-2P9

USA

2608 TEMPLE HEIGHTS DRIVE
OCEANSIDE, CA
92056

PHONE : 604-644-1125

FAX : 760-758-9612

EMAIL : MEEKERAVIATION@YAHOO.COM

www.meekeraviation.com