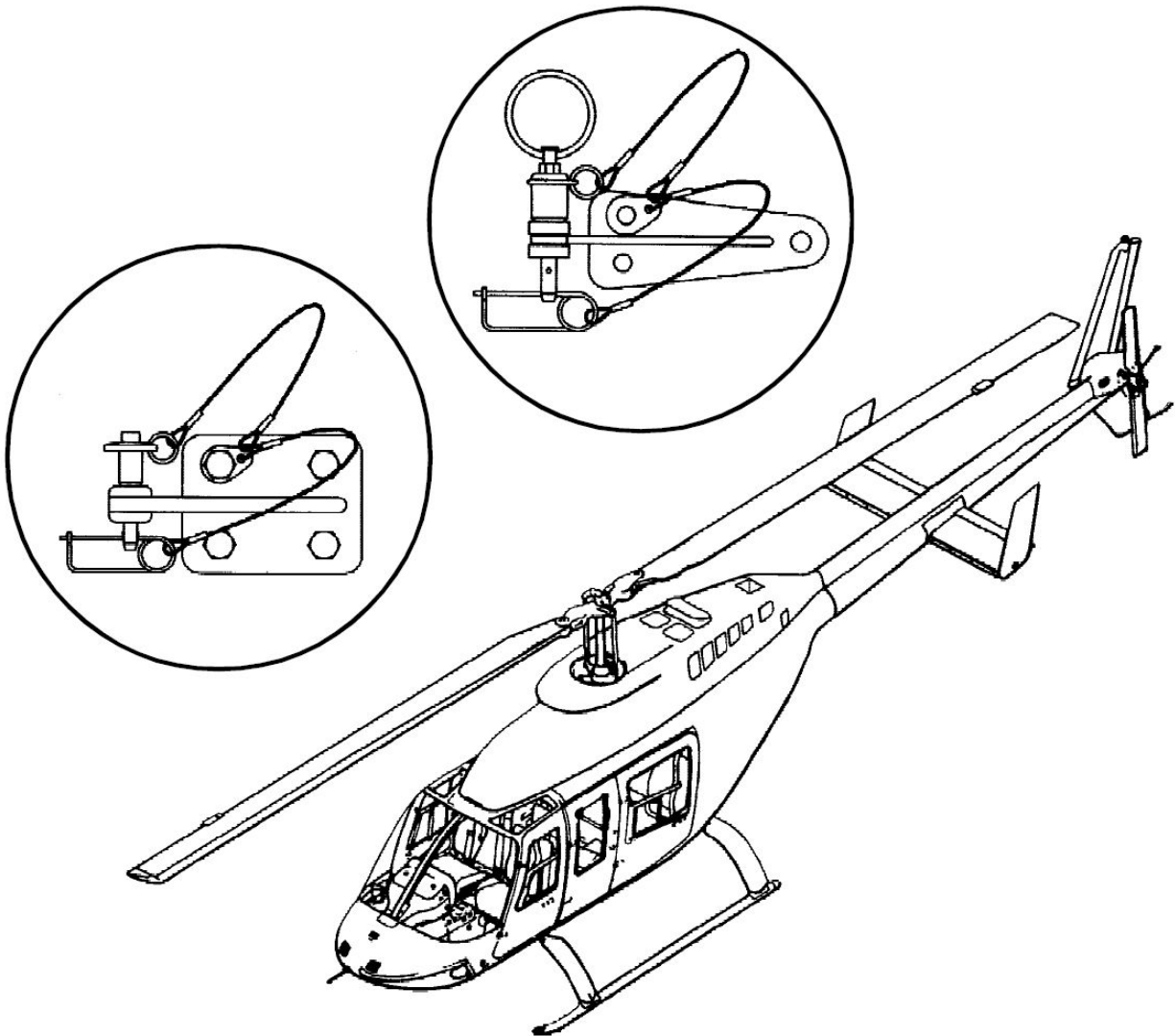


BELL 206 / 206L / 407
STC'D QUICK RELEASE DOOR PINS



FEATURES

- FAA / PMA approved quick release door pin kit, direct replacement for existing factory bolts.
- Safe, quick and easy removal or installation of main cabin doors
- Double safety meets FAR 27. 607
- Stainless steel MS quick release pins
- Equal to the strength of the original OEM hardware
- Available in 2, 4 or 5 door kits

PH: 604-644-1125

FAX: 760-758-9612

www.meekeraviation.com

meekeraviation@yahoo.com