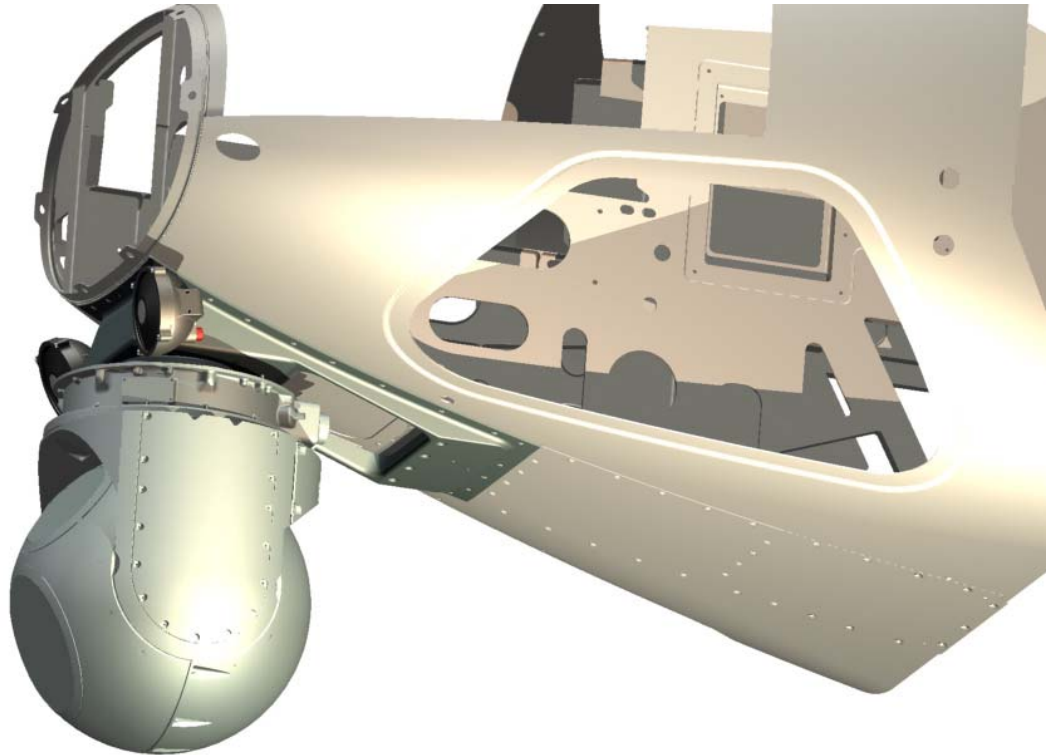


DOCUMENT AFM-NM429-008

INSTRUCTIONS FOR CONTINUED AIRWORTHINESS

**AFM-NM429-1 NOSE UTILITY MOUNT
FOR THE
BELL MODEL 429 SERIES
ROTORCRAFT**



**AIRFILM CAMERA SYSTEMS
6245 AERODROME WAY
HANGAR NO. 2
GEORGETOWN, CA**

**AIRFILM CAMERA SYSTEMS
 MAINTENANCE INSTRUCTIONS
 DOCUMENT No. AFM-NM429-1 NOSE UTILITY MOUNT**

RECORD OF REVISIONS

No.	Date	By	DESCRIPTION
N/C	08/01/11	AvSpec	Initial Release

LIST OF EFFECTIVE PAGES

PAGE NO.	REVISION	DATE
1	N/C	08/01/11
2	N/C	08/01/11
3	N/C	08/01/11
4	N/C	08/01/11
5	N/C	08/01/11
6	N/C	08/01/11
7	N/C	08/01/11
8	N/C	08/01/11

**AIRFILM CAMERA SYSTEMS
 MAINTENANCE INSTRUCTIONS
 DOCUMENT No. AFM-NM429-1 NOSE UTILITY MOUNT**

TABLE OF CONTENTS

SECTION	TITLE	PAGE
	RECORD OF REVISIONS	2
	LIST OF EFFECTIVE PAGES.....	2
	TABLE OF CONTENTS	3
1.0	GENERAL.....	4
1.1	INTRODUCTION	4
1.2	PURPOSE	4
1.3	SCOPE	4
1.4	APPLICABILITY	4
1.5	DOCUMENT CHANGE CONTROL.....	4
1.6	SPECIAL TOOLS.....	4
2.0	AIRWORTHINESS LIMITATIONS	4
3.0	INSPECTION REQUIREMENTS	5
3.1	SCHEDULED INSPECTIONS	6
3.1.1	100 HOUR INSPECTION INTERVALS.....	6
	TABLE 3.1.1 100 HOUR TIME IN SERVICE INSPECTIONS ON HELICOPTER	6
3.1.2	500 HOUR INSPECTION INTERVAL.....	6
	TABLE 3.1.2 COMPONENT INSPECTIONS.....	6
3.2	SPECIAL INSPECTIONS	7
3.3	INSPECTION LIMITS	7
4.0	REMOVAL, DISASSEMBLY, REASSEMBLY AND INSTALLATION.....	7
5.0	WEIGHT AND BALANCE	7
	TABLE 5.1 COMPONENT WEIGHTS.....	7
	FIGURE 5.1 EXPLODED VIEW.....	8

**AIRFILM CAMERA SYSTEMS
MAINTENANCE INSTRUCTIONS
DOCUMENT No. AFM-NM429-1 NOSE UTILITY MOUNT**

1.0 GENERAL

1.1 INTRODUCTION

This manual presents the Maintenance Instructions for the Airfilm Camera Systems model of the AFM-NM429-1 Nose Utility Mount for the Bell 429 series rotorcraft. The mount is designed to facilitate the attachment of equipment such as video camera, searchlights and infrared sensors. The cover page of this document shows the typical mount installation.

1.2 PURPOSE

The purpose of this document is to provide Maintenance Instructions to inspect the Airfilm Camera Systems Model AFM-NM429-1 Nose Utility Mount

1.3 SCOPE

The scope of this document is limited to information, procedures, requirements and limitations for this Supplemental Type Certificate. When a requirement specified in the appendix to the regulations is not applicable to this Supplemental Type Certificate the requirement will not be included in the Maintenance Instructions.

1.4 APPLICABILITY

These Maintenance Instructions are applicable to the Airfilm Camera Systems AFM-NM429-1 Nose Utility Mount

1.5 DOCUMENT CHANGE CONTROL

Changes to this document will be distributed to registered owners of the within AFM-NM429-1 Nose Utility Mount 10 days after the revision is approved. Changes to this document will be indicated by a revision number in the footer, vertical lines adjacent to the change, and in the Record of Revisions.

1.6 SPECIAL TOOLS

No special tools are required for maintenance of this appliance

2.0 AIRWORTHINESS LIMITATIONS

NO LIFE LIMITED COMPONENTS ARE AFFECTED

The Airworthiness Limitations section is FAA Approved and specifies inspections and other maintenance required under §§43.16 and 91.403 of the Federal Aviation Regulations unless an alternative program has been FAA Approved.

**AIRFILM CAMERA SYSTEMS
MAINTENANCE INSTRUCTIONS
DOCUMENT No. AFM-NM429-1 NOSE UTILITY MOUNT**

3.0 INSPECTION REQUIREMENTS

FIGURE 3.1 AFM-NM429-1 Nose Utility Mount



**AIRFILM CAMERA SYSTEMS
MAINTENANCE INSTRUCTIONS
DOCUMENT No. AFM-NM429-1 NOSE UTILITY MOUNT**

3.1 SCHEDULED INSPECTIONS

The scheduled inspections required by this document are contained on the following checklists. This checklist, when completed, is to become a permanent part of the AFM-NM429-1 Nose Utility Mount

NOTE: There are no field repairs or overhaul allowed for the AFM-NM429-1 Nose Utility Mount.

If any component fails the following inspections, the mount is to be removed from the helicopter and returned to Airfilm Camera Systems.

3.1.1 100 HOUR INSPECTION INTERVALS

The 100 hour time in service inspections consist of visually inspecting the critical area of the AFM-NM429-1 Nose Utility Mount

Due to the simplicity of the mount structure, all scheduled 100 hour inspections consist of the same items since the mount is inspected while installed on the helicopter.

The inspections per Table 3.1.1 are required while the AFM-NM429-1 Nose Utility Mount is installed on the helicopter at the time in service interval as specified. The inspection is to be performed by maintenance personnel.

TABLE 3.1.1 100 HOUR TIME IN SERVICE INSPECTIONS ON HELICOPTER

Inspect. Interval Hours	Inspection	Maintenance Personnel Initial
100	Visually inspect components for cracks, nicks, dents or scratches	
100	Visually inspect hardware for security and tightness	
100	Visually inspect components for corrosion	
100	Check hardware for correct torques	

3.1.2 500 HOUR INSPECTION INTERVALS

Remove appliance from helicopter in accordance with Section 4.0

TABLE 3.1.2 COMPONENT INSPECTIONS

Inspect. Interval Hours	Inspection	Maintenance Personnel Initial
500	Visually inspect bolt holes for damage	
500	Visually inspect components for corrosion	
500	Visually inspect components for cracks, nicks, dents or scratches	

AIRFILM CAMERA SYSTEMS MAINTENANCE INSTRUCTIONS DOCUMENT No. AFM-NM429-1 NOSE UTILITY MOUNT
--

3.2 SPECIAL INSPECTIONS

Hard Landing: Inspect for evidence of ground contact or damage.
 Remove if indications exist.

3.3 INSPECTION LIMITS

The AFM-NM429-1 Nose Utility Mount is to be removed from service and returned to Airfilm Camera Systems if the following inspection limits are exceeded.

Cracks:	Any indication
Bolt hole elongation	Any Indication
Corrosion:	Any Indication
Dents, scratches, wear or nicks	Greater than 0.015 inches

4.0 REMOVAL, DISASSEMBLY, REASSEMBLY AND INSTALLATION

On initial installation, the AFM-NM429-1 Nose Mount is installed over the Bell Front Landing Light Cover Panel P/N 429-706-017-119 (or 429-706-017-101) with 3M Tape or A2008 Protective Cloth between the panel and the Nose Mount Assembly.

To remove the Nose Mount, remove the Front Landing Light Cover fasteners (Bell P/N 120-225C3T-15). The Nose Mount and Landing Light Cover Panel will come off together. Remove the 3M Tape (or Protective Cloth) from the Landing Light Cover Panel. Reinstall the Landing Light Cover Panel by reinstallation of the Bell P/N 120-225C3T-15 fasteners. Torque to 12 – 15 in-lb.

To reinstall the AFM-NM429-1 Nose Mount, remove the Landing Light Cover Panel, apply the 3M tape (or A2008 Protective Cloth) to mating surfaces between the Panel and the Mount, and reinstall the panel and Nose Mount together. Install using the Bell P/N 120-225C3T-15 fasteners. Torque to 12 – 15 in-lb.

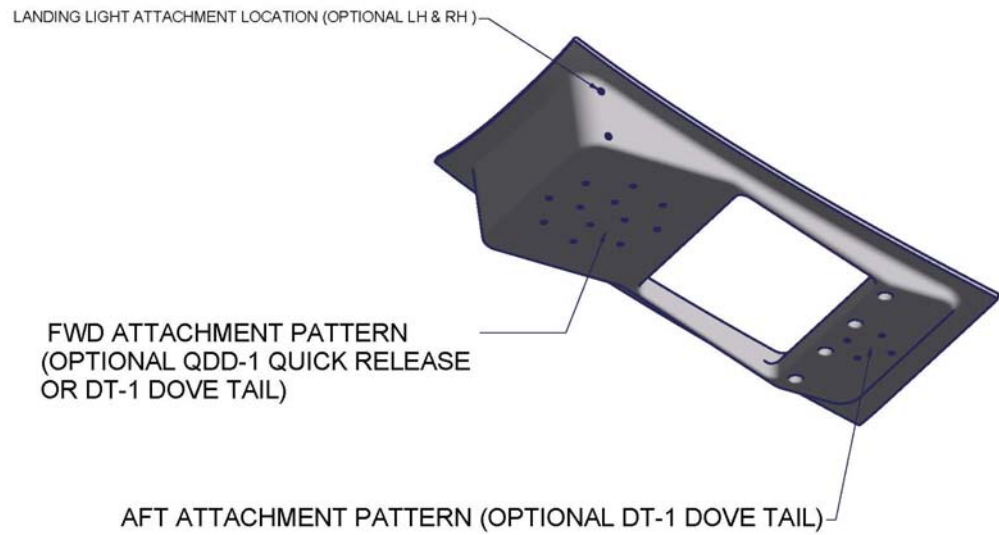
5.0 WEIGHT AND BALANCE

Table 5.1: COMPONENT WEIGHTS

PART NO.	DESCRIPTION	WEIGHT	STATION)	BL
AFM-NM429-1	NOSE UTILITY MOUNT	13 LBS	93.53 in 2375.66 mm	0.0 in 0.0 mm

**AIRFILM CAMERA SYSTEMS
MAINTENANCE INSTRUCTIONS
DOCUMENT No. AFM-NM429-1 NOSE UTILITY MOUNT**

FIGURE 5.1 EXPLODED VIEW



AFM-NM429-1