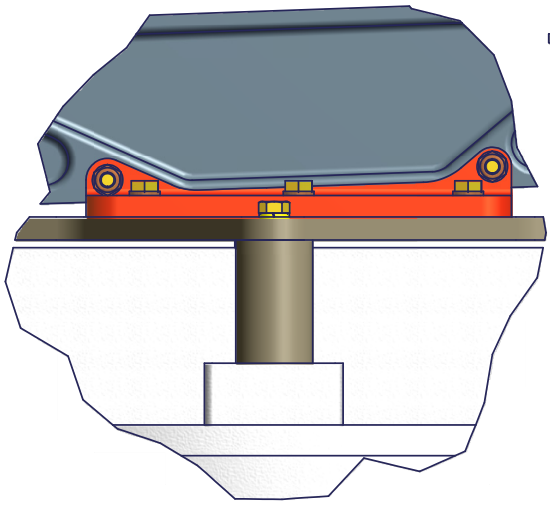
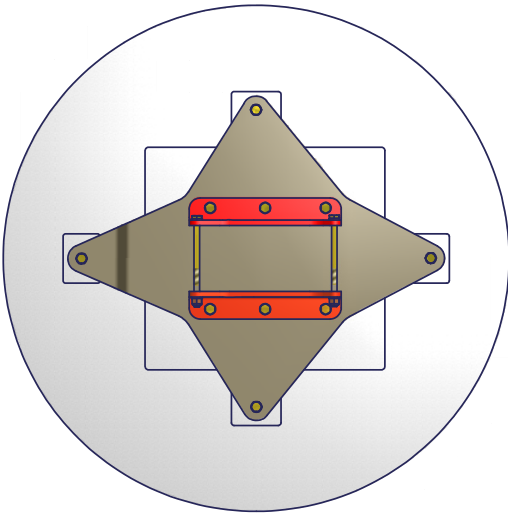
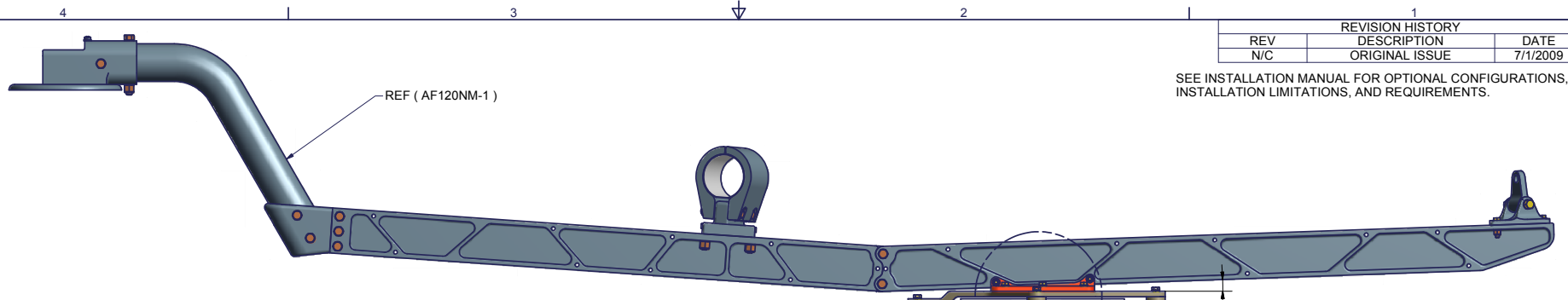
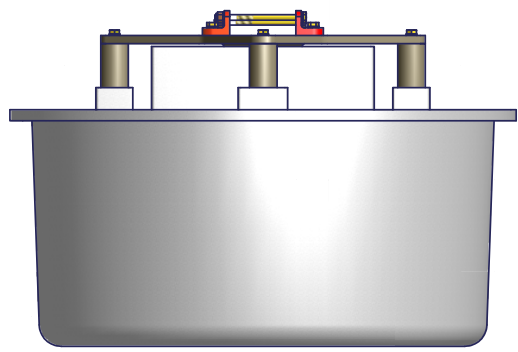
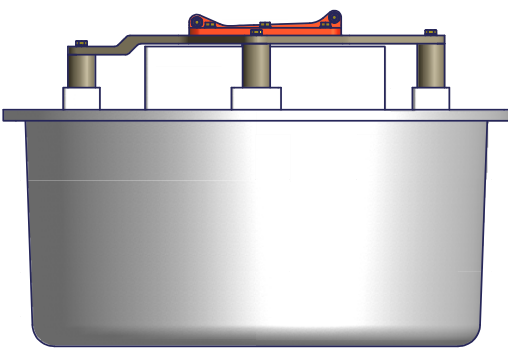
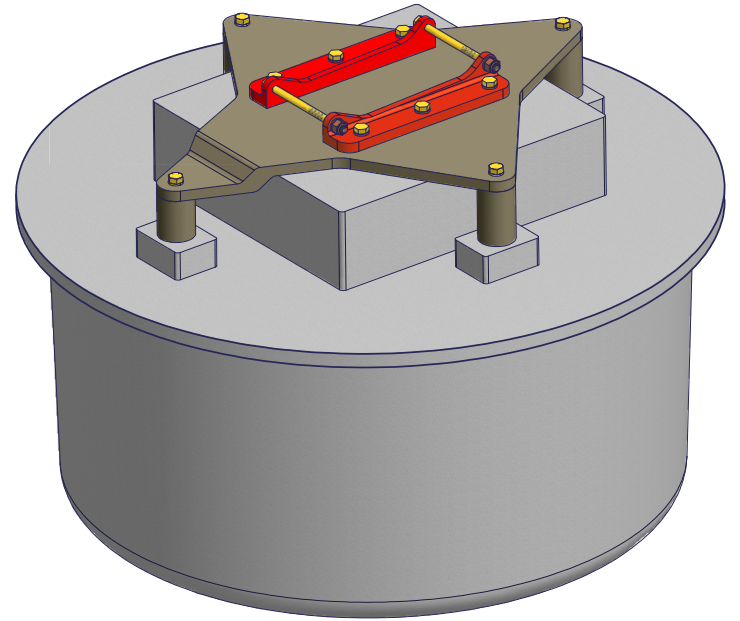


| REVISION HISTORY |                |          |
|------------------|----------------|----------|
| REV              | DESCRIPTION    | DATE     |
| N/C              | ORIGINAL ISSUE | 7/1/2009 |

SEE INSTALLATION MANUAL FOR OPTIONAL CONFIGURATIONS, INSTALLATION LIMITATIONS, AND REQUIREMENTS.



DETAIL A



|   |                                       |   |                             |
|---|---------------------------------------|---|-----------------------------|
| UNLESS OTHERWISE NOTICED ALL DIMENSIONS ARE INCH TOLERANCES<br><br>DECIMALS<br>.X +/- 0.1<br>.XX +/- 0.03<br>.XXX +/- 0.005<br><br>ANGULAR<br>+/- 0.5 DEG<br><br>BREAK ALL SHARP EDGES                  | AIRFILM MFG DRAWING                   | AirFilm Camera Systems<br>Georgetown, Ca 530-333-0193 www.airfilm.com |                             |
|   | DRAWN<br><i>S.P. Herring</i> 7/1/2009 |   |                             |
|   | CHECKED                               | TITLE<br><b>EC120 AFT UTILITY BRACKET</b>                             |                             |
|   | APPROVED                              | SIZE<br>C   | DWG NO<br><b>AF120AUB-1</b> |
| THIS DRAWING AND SPECIFICATION IS THE PROPERTY OF AIRFILM CAMERA SYSTEMS AND SHALL NOT BE COPIED OR DIVULGED IN WHOLE OR IN PART AS THE BASIS FOR MANUFACTURING OR SALE OF THE ITEM OR ITEMS DISCLOSED. |                                       | SCALE<br>N/A  | SHEET<br>1 OF 5             |