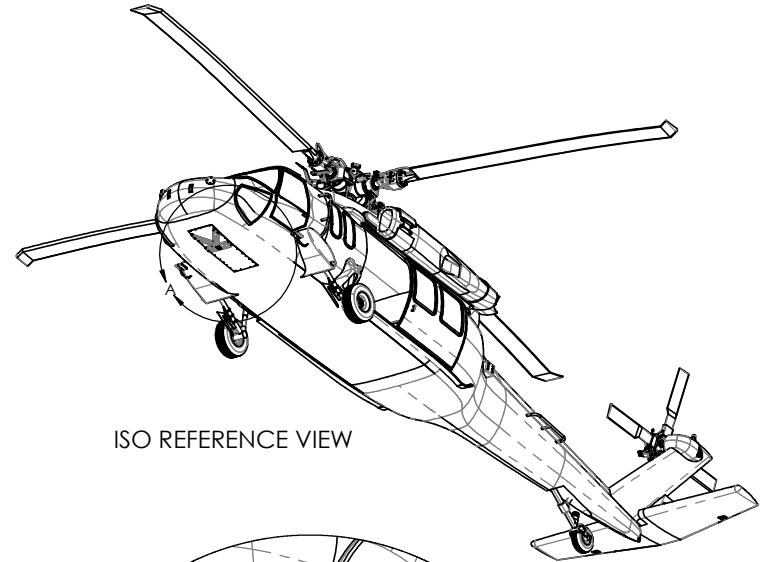
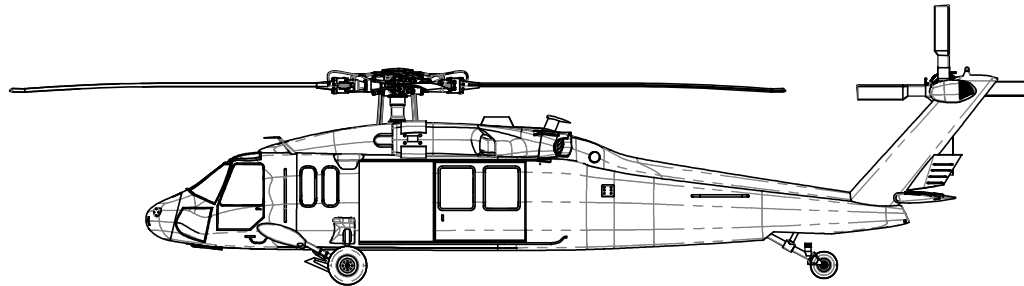
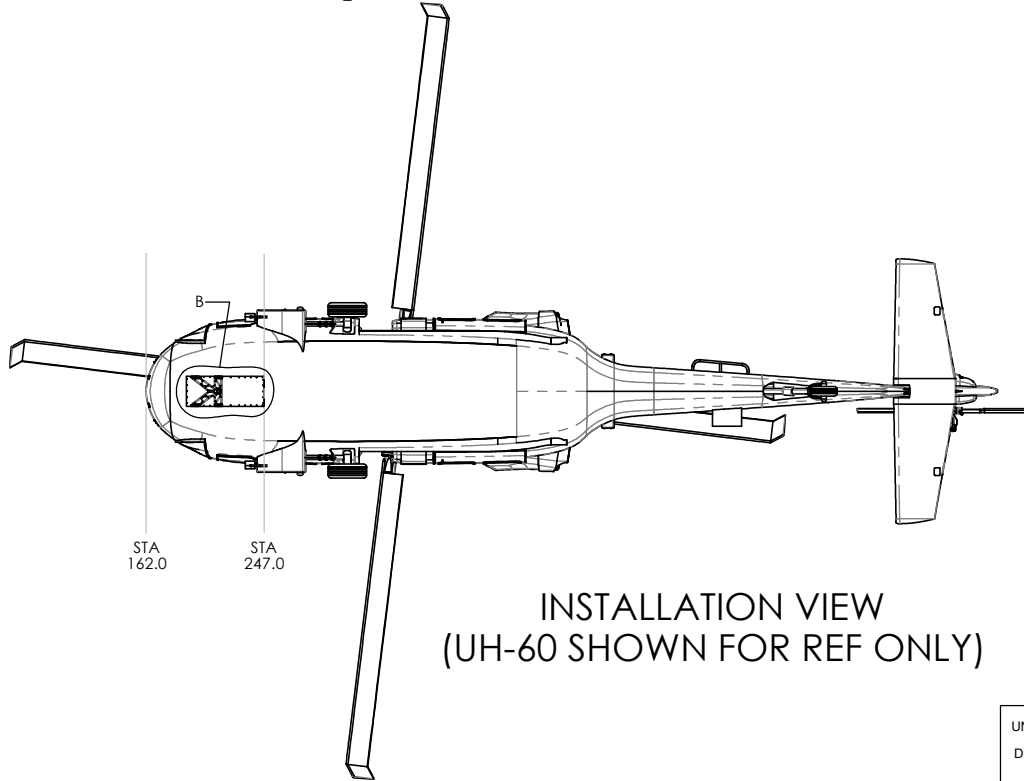


ITEM NO.	QTY.	PART NUMBER	DESCRIPTION
1	1	AFM-BH-KMT-1	UTILITY MOUNT ASSY, K-MOUNT, UH-60 BLACKHAWK
2	8	AN4-12A	BOLT
3	8	NAS620-416	WASHER
4	8	MS21060L4	NUTPLATE

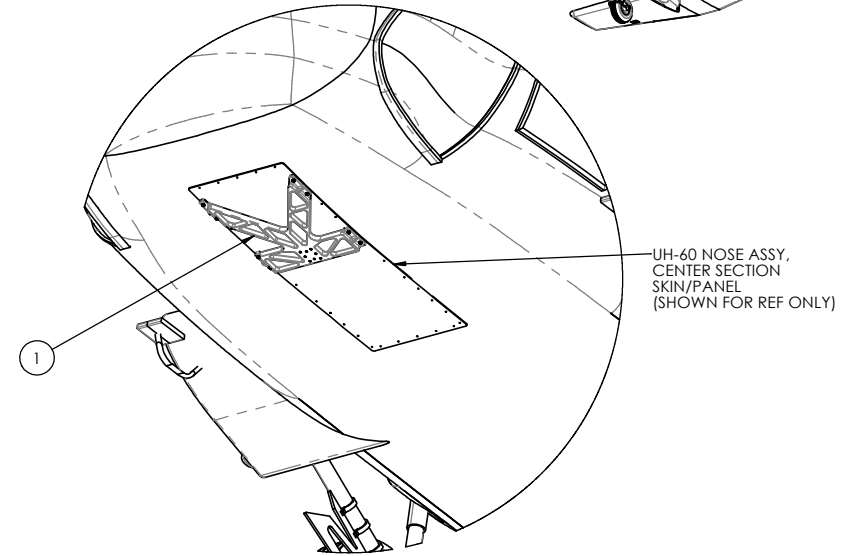
REVISIONS			
REV.	DESCRIPTION	DATE	DRAWN BY
NC	INITIAL RELEASE	03/27/2019	JS



ISO REFERENCE VIEW



INSTALLATION VIEW
(UH-60 SHOWN FOR REF ONLY)



DETAIL A
SCALE 1 : 16

- NOTES:
- BAG AND TAG INSTALLATION HARDWARE.
 - INSTALL AND TORQUE ALL HARDWARE PER AC 43.13-1B, CHAPTER 7, SECTION 3.4.
 - REMOVE AND REPLACE EXISTING #10-32 NUTPLATES WITH MS21060L4 NUTPLATES AT ALL NEW FASTENER LOCATIONS.

UNLESS OTHERWISE NOTED ALL DIMENSIONS ARE IN INCHES

TOLERANCES:
 X ± .1
 .XX ± .03
 .XXX ± .010
 ANGULAR: ± .5°

BREAK ALL SHARP EDGES .015 MAX

DRAWING		
NAME	DATE	
J. SANDOVAL	03/27/2019	DRAWN
J. MUELLER	03/27/2019	CHECKED
S. MOORE	03/27/2019	APPROVED

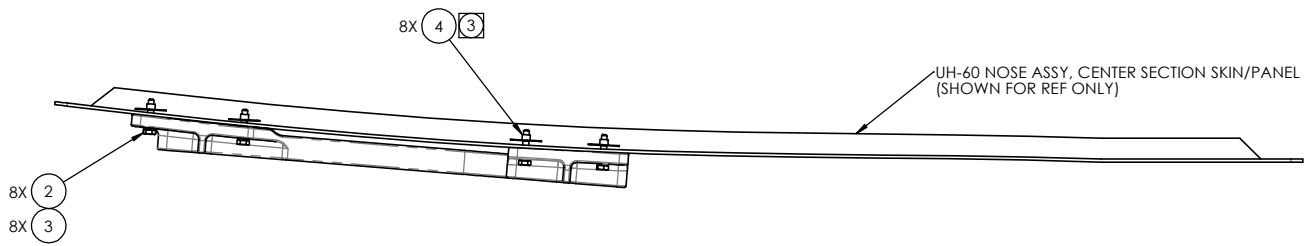
PROPRIETARY NOTICE
 THIS DRAWING AND SPECIFICATION IS THE PROPERTY OF AIRFILM CAMERA SYSTEMS, INC AND SHALL NOT BE COPIED OR DIVULGED IN WHOLE OR IN PART AS THE BASIS FOR MANUFACTURING OR SALE OF THE ITEM OR ITEMS DISCLOSED.

Airfilm Camera Systems
 www.airfilm.com Georgetown CA

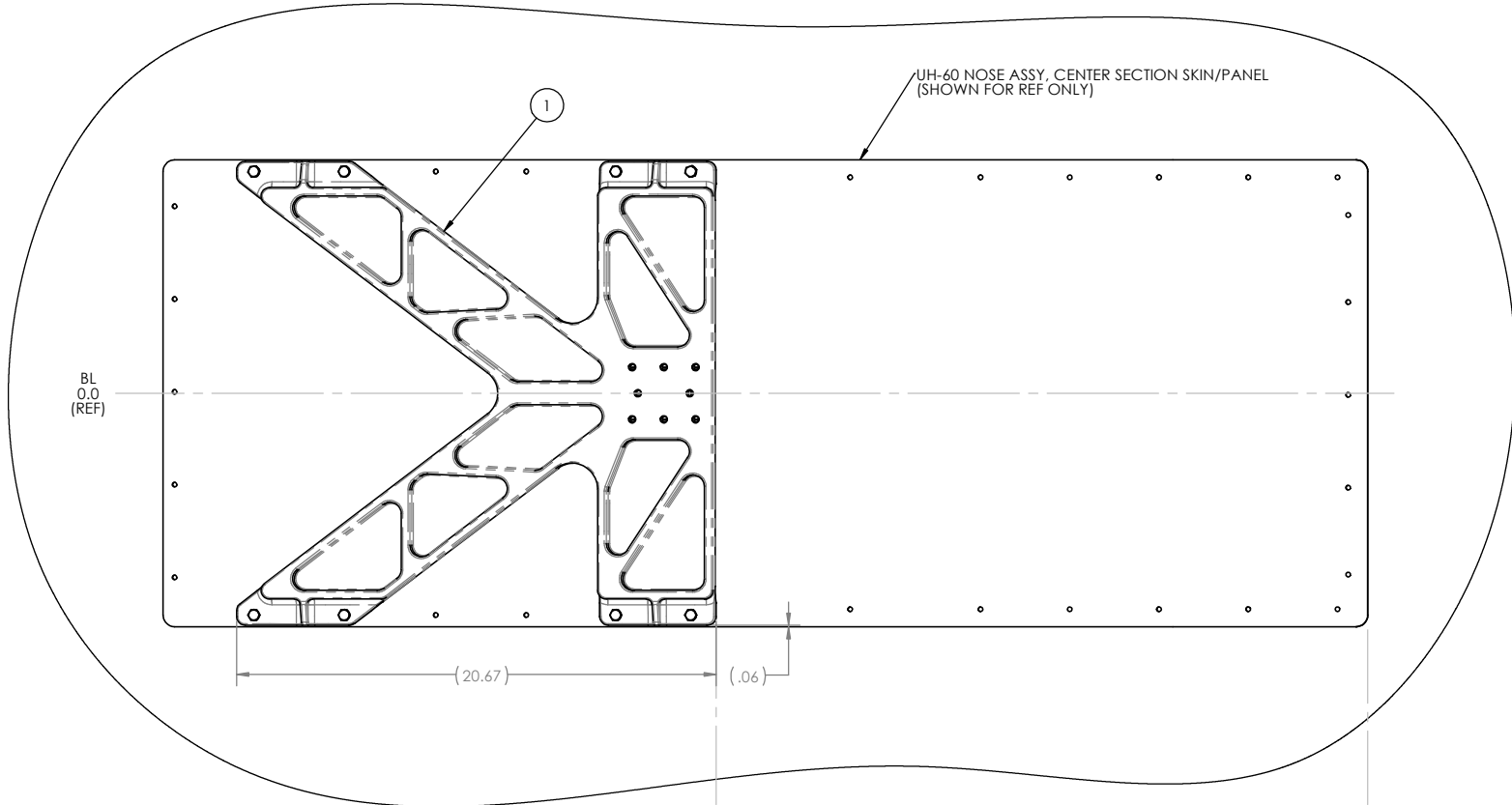


TITLE:
 INSTALLATION, UTILITY MOUNT, K-MOUNT, UH-60 BLACKHAWK

SIZE C	DWG. NO. AFM-BH-INST-003	REV NC
SCALE: 1/64	DO NOT SCALE DRAWING	SHEET 1 OF 3

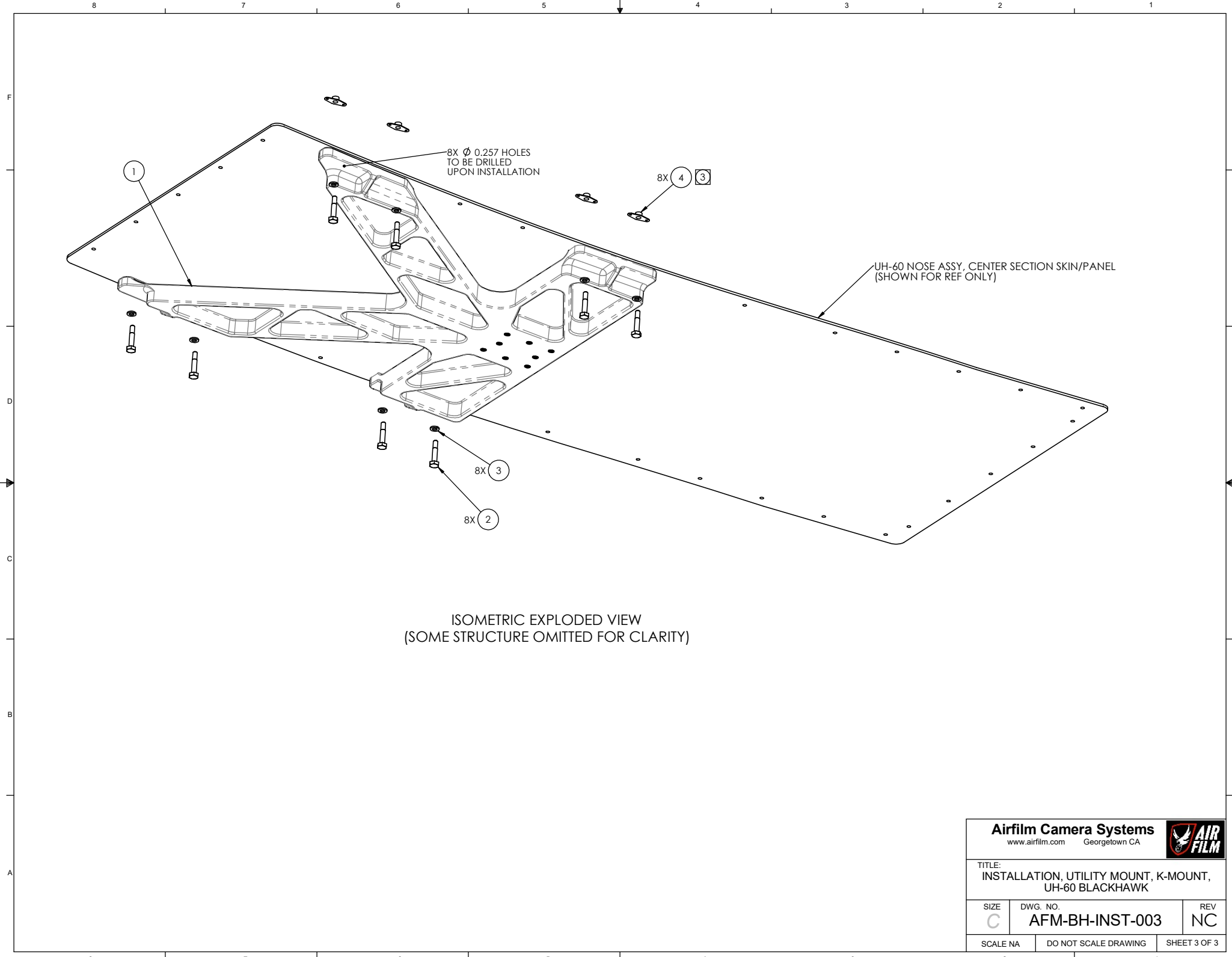


VIEW LOOKING INBOARD
(SOME STRUCTURE OMITTED FOR CLARITY)




DETAIL B
SCALE 1 : 4
(SOME STRUCTURE OMITTED FOR CLARITY)

Airfilm Camera Systems www.airfilm.com Georgetown CA		
TITLE: INSTALLATION, UTILITY MOUNT, K-MOUNT, UH-60 BLACKHAWK		
SIZE C	DWG. NO. AFM-BH-INST-003	REV NC
SCALE NA	DO NOT SCALE DRAWING	SHEET 2 OF 3



ISOMETRIC EXPLODED VIEW
(SOME STRUCTURE OMITTED FOR CLARITY)

Airfilm Camera Systems www.airfilm.com Georgetown CA		
TITLE: INSTALLATION, UTILITY MOUNT, K-MOUNT, UH-60 BLACKHAWK		
SIZE C	DWG. NO. AFM-BH-INST-003	REV NC
SCALE NA	DO NOT SCALE DRAWING	SHEET 3 OF 3