

1 2 3 4 5 6 7 8

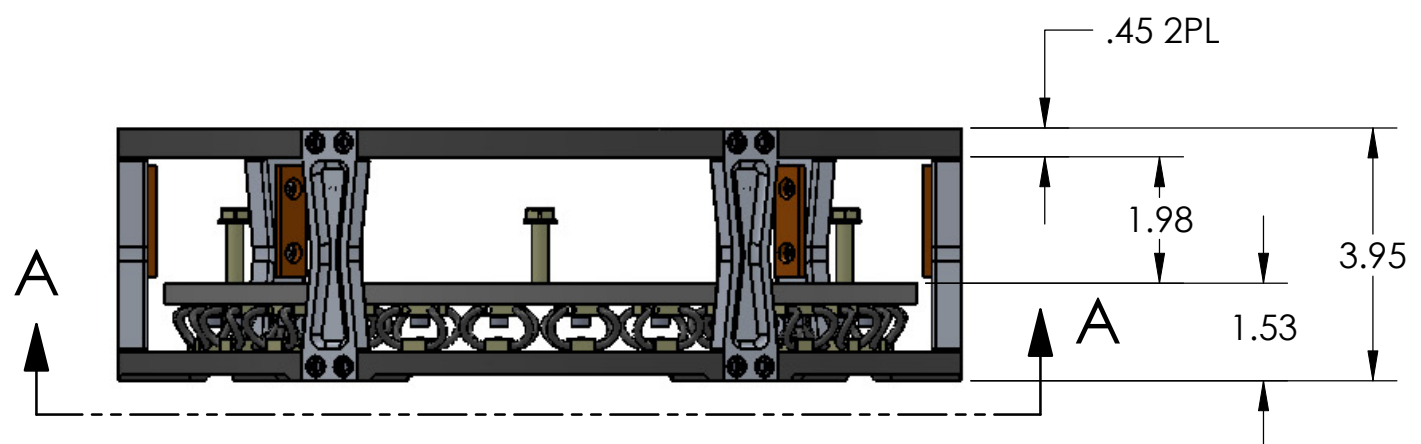
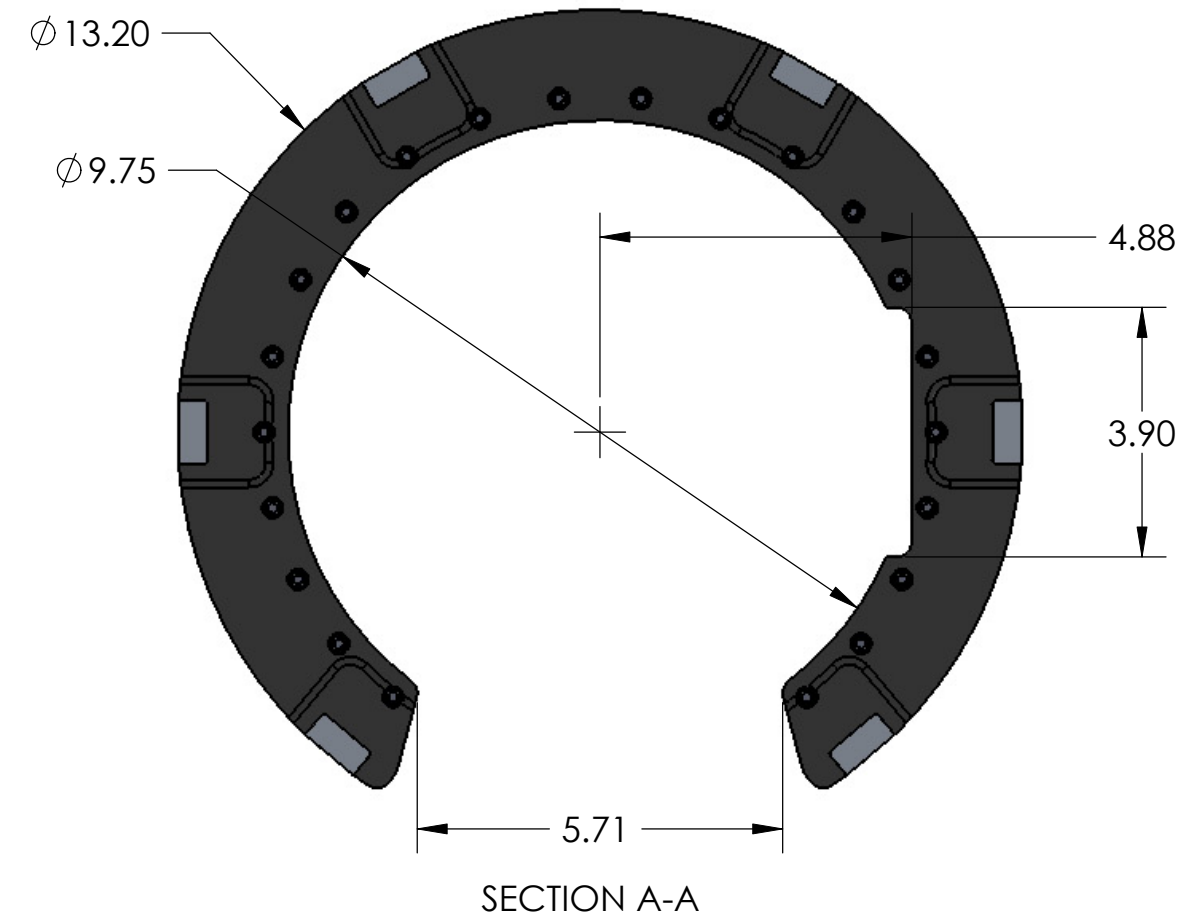
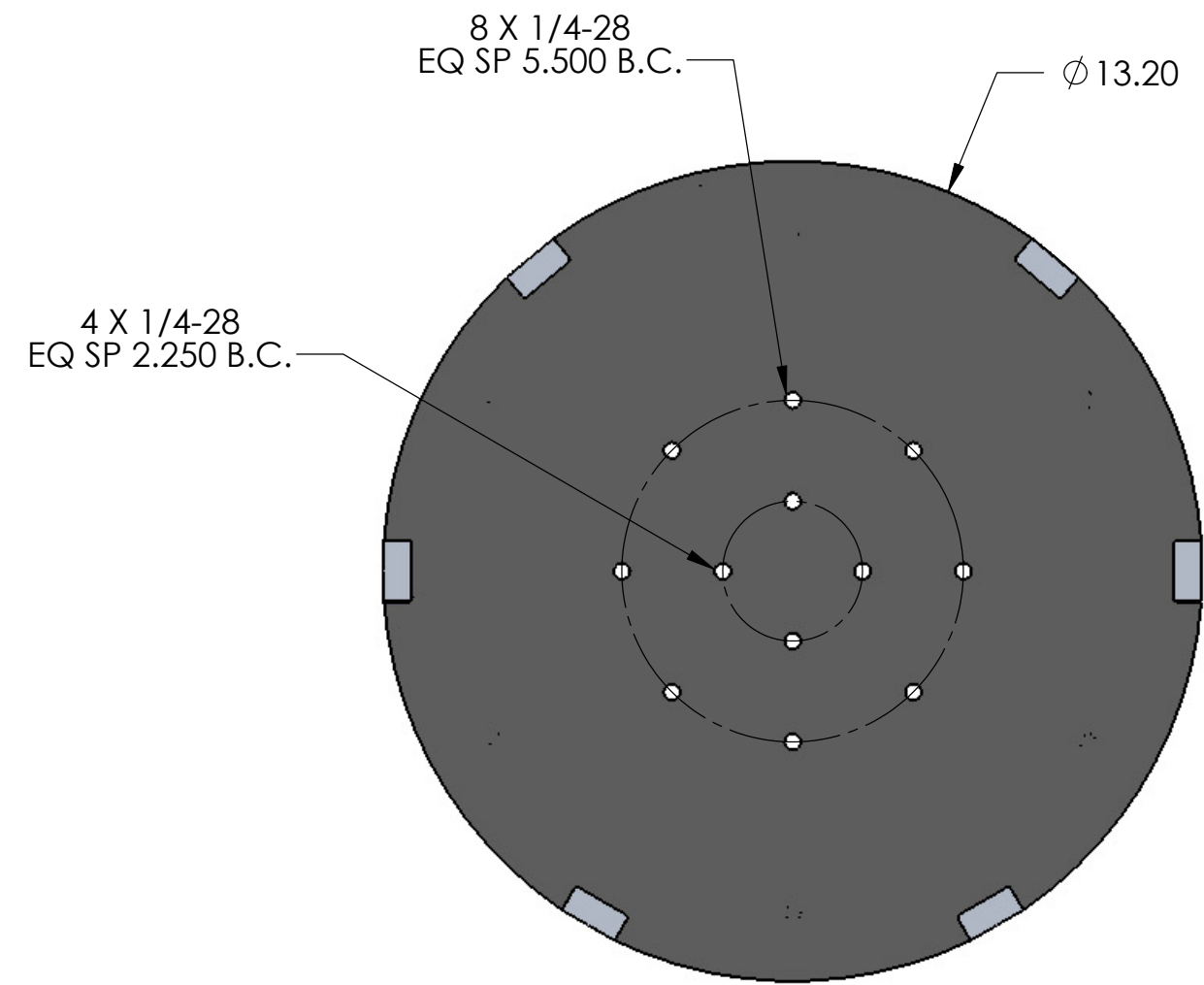
THE INFORMATION CONTAINED IN THIS DRAWING IS THE SOLE PROPERTY OF MEEKER AVIATION ANY REPRODUCTION IN PART OR WHOLE WITHOUT THE WRITTEN PERMISSION OF MEEKER AVIATION IS PROHIBITED.

REVISIONS			
REV.	DESCRIPTION	DATE	APPROVED

NOTES:

1. MATERIAL: AL 6061-T651 PER AMS-QQ-A-250/11
2. FINISH: ANODIZE IAW MIL-A-8625 TYPE II CLASS 2, COLOR: BLACK
3. ASSEMBLY WEIGHT: 7.5 LBS

A
B
C
D



9HD-1 COLLAR ASSY

NEXT ASSY (S)	ORIGINAL DATE (MO-DA-YR) 10-10-10	MEEKER AVIATION 2608 TEMPLE HEIGHTS DR. OCEANSIDE, CA. 92056-3512 (604)644-1125		
	DRAWN BY S. HUFF			CHECKER R. CROMWELL
	DRAWING APPROVAL C. MEEKER 10-10-10	COLLAR ASSY (PUBLIC)		
	CONTRACT No.			
	UNLESS OTHERWISE SPECIFIED DIMENSIONS ARE IN INCHES TOLERANCES ARE: 2 PLACE DECIMALS ±.01 3 PLACE DECIMALS ±.005 ANGLES ±.5°	SIZE B 8A8B5	DWG. NO. MA-9HD PUB	REV. B
		SCALE NONE	SHEET 1 OF 1	