

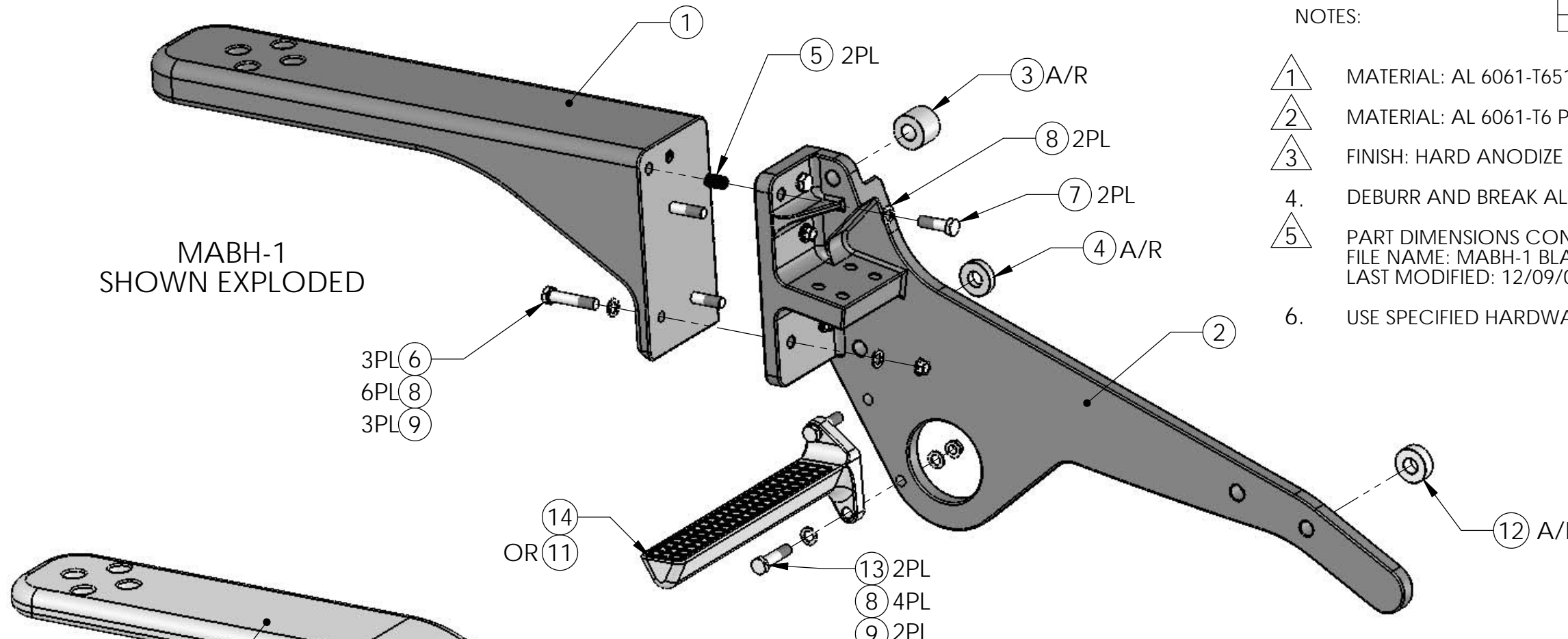
THE INFORMATION CONTAINED IN THIS DRAWING IS THE SOLE PROPERTY OF MEEKER AVIATION ANY REPRODUCTION IN PART OR WHOLE WITHOUT THE WRITTEN PERMISSION OF MEEKER AVIATION IS PROHIBITED.

REVISIONS			
REV.	DESCRIPTION	DATE	APPROVED
A	ADDED MABH-2 CONFIGURATION	08-31-08	C. MEEKER
B	ADDED MABH-1-6 STEP & .100" THICKNESS TO MABH-1-2 FLANGE	12-09-08	C. MEEKER
C	ADDED MABH-1-8 LONG STEP OPTION	04-10-09	C. MEEKER

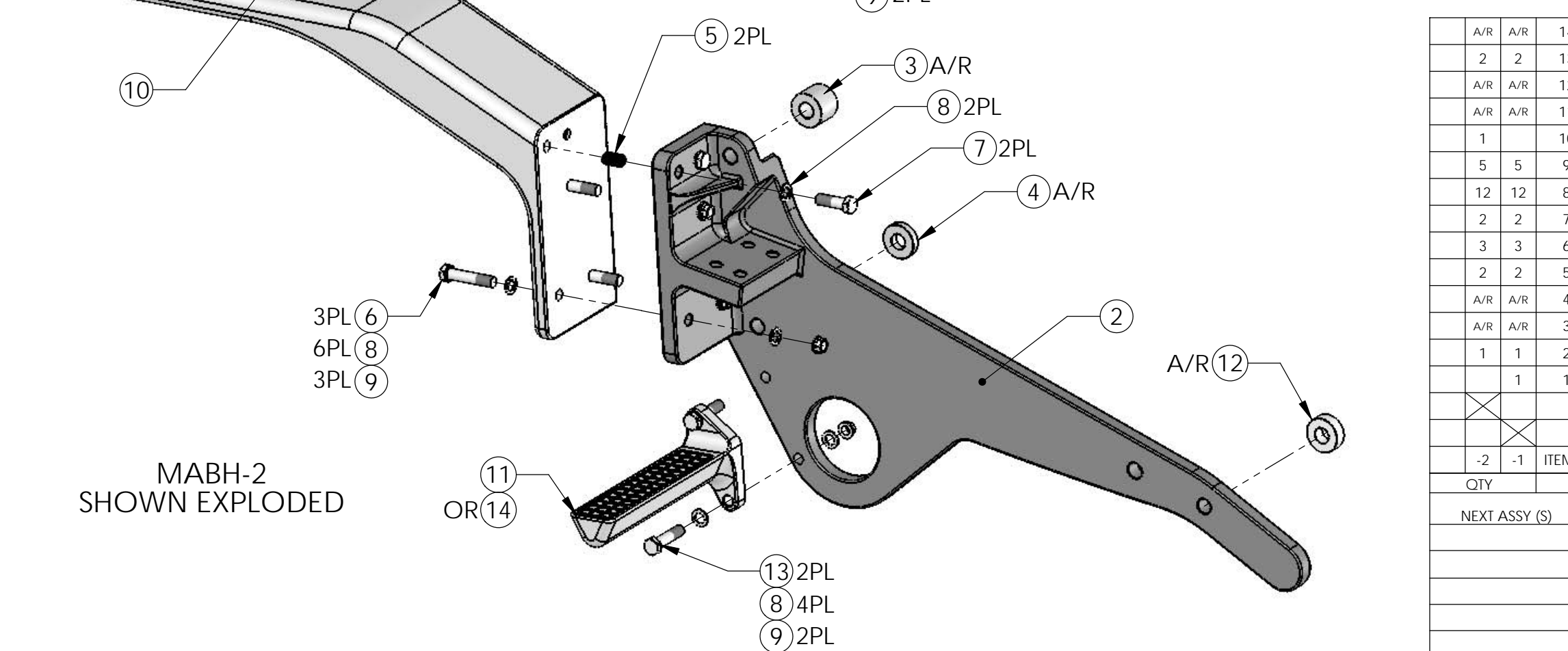
NOTES:

- 1 MATERIAL: AL 6061-T651 PER AMS-QQ-A-250/11
- 2 MATERIAL: AL 6061-T6 PER AMS-QQ-A-200/8
- 3 FINISH: HARD ANODIZE IAW MIL-A-8625 TYPE III CLASS 2, COLOR: BLACK
- 4. DEBURR AND BREAK ALL SHARP EDGES
- 5 PART DIMENSIONS CONTROLLED BY CAD MODEL
FILE NAME: MABH-1 BLACKHAWK MOUNT.SLDASM
LAST MODIFIED: 12/09/08
- 6. USE SPECIFIED HARDWARE OR ITS EQUIVALENT

MABH-1
SHOWN EXPLODED



MABH-2
SHOWN EXPLODED



QTY	A/R	A/R	ITEM #	PART #	DESCRIPTION	MAT'L	SPEC.
			14	MABH-1-8	LONG STEP	1	3
	2	2	13	AN6-14A	BOLT		
	A/R	A/R	12	MABH-1-7	SPACER	2	3
	A/R	A/R	11	MABH-1-6	STEP	1	3
	1		10	MABH-1-5	MOUNT	1	3
	5	5	9	MS21043-6	LOCKNUT		
	12	12	8	NAS1149F0663P	WASHER		
	2	2	7	AN6-11A	BOLT		
	3	3	6	AN6-16A	BOLT		
	2	2	5	MS21209F620	HELICAL INSERT		
	A/R	A/R	4	MABH-1-4	SPACER	2	3
	A/R	A/R	3	MABH-1-3	SPACER	2	3
	1	1	2	MABH-1-2	BRACKET	1	3
		1	1	MABH-1-1	MOUNT	1	3
				MABH-2	BLACKHAWK MOUNT ASSY		
				MABH-1	BLACKHAWK MOUNT ASSY		

NEXT ASSY (S)		ORIGINAL DATE (MO-DA-YR)		DATE 04-07-08		DRAWN BY		CHECKER		MEEKER AVIATION	
						S. HUFF		D. BARKER			2608 TEMPLE HEIGHTS DR. OCEANSIDE, CA. 92056-3512 (604)644-1125
						DRAWING APPROVAL C. MEEKER DATE 04-07-08 CONTRACT No.				BLACKHAWK MOUNT	
						UNLESS OTHERWISE SPECIFIED DIMENSIONS ARE IN INCHES TOLERANCES ARE: 2 PLACE DECIMALS ±.01 3 PLACE DECIMALS ±.005 ANGLES ±.5°		SIZE	CAGE CODE	DWG. NO.	REV.
						B	8A8B5	MABH-1			C
						SCALE	NONE			SHEET	1 OF 10